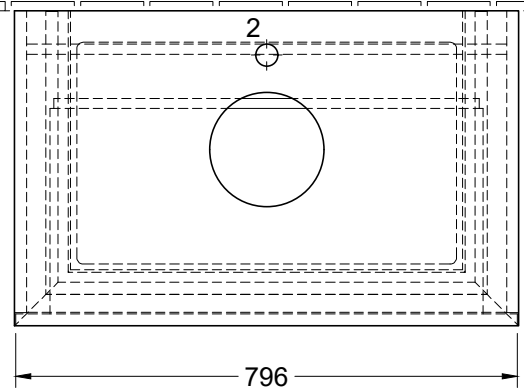
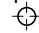
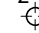



N  $\frac{1}{\text{L}}$   
 220 - 240V



	1 	2 
4A22 5G / 5L		X
4A22 5F	X	
4A22 6G / 6L		X
4A22 6F	X	

<b>Legato</b> B60100XX / B601L0XX		 <b>Villeroy &amp; Boch</b> 1748
V01 / 05.01.2022	1:12	