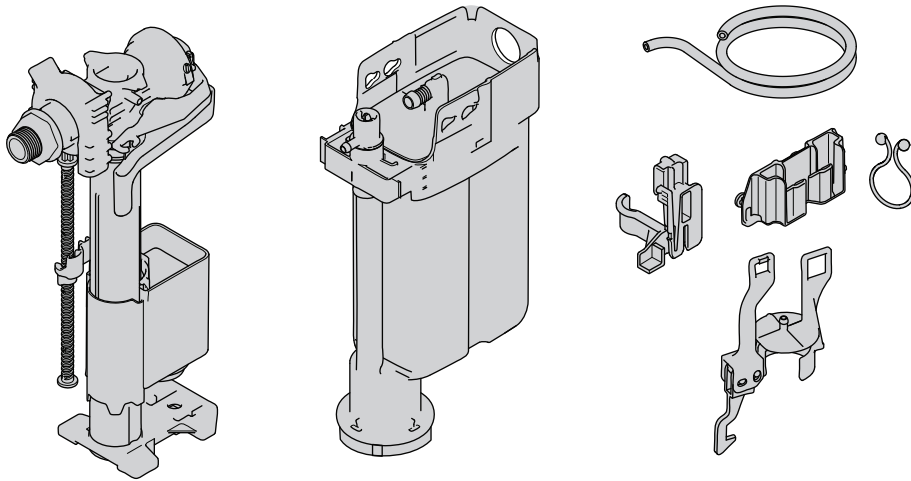
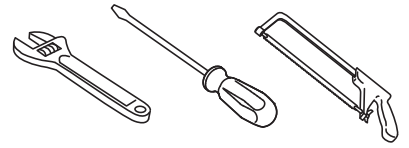


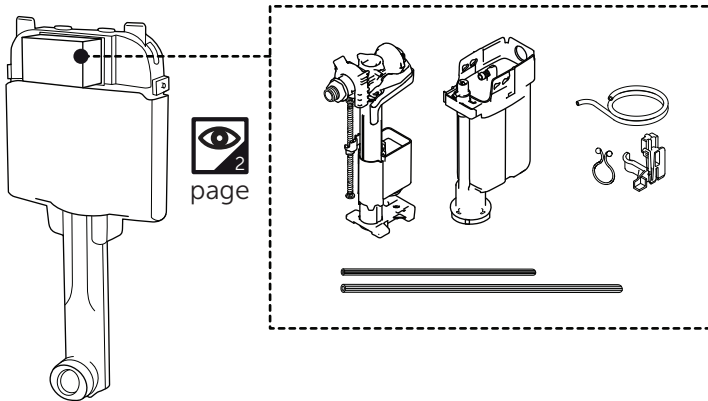
# SMART FLUSH

Fragrance system

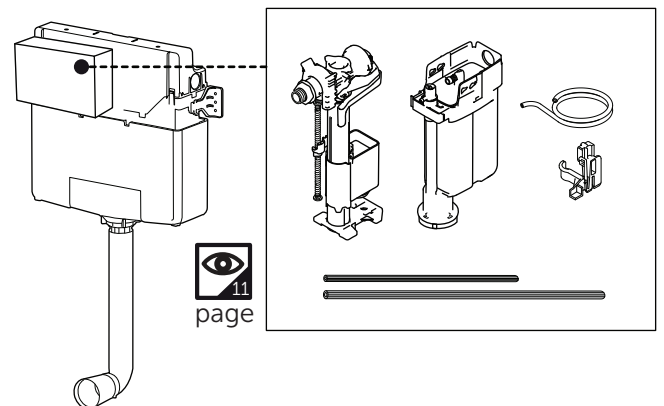
Installation - Installazione - Installation - Montage - Instalación - Montering - Монтаж  
Montáž - Paigaldamine - Εγκατάσταση - Beszerelés - Montavimas - Montāža - Instalare  
Инсталација - Montaž - Установка - Montaža - Montáž - Montaj - Інсталяція



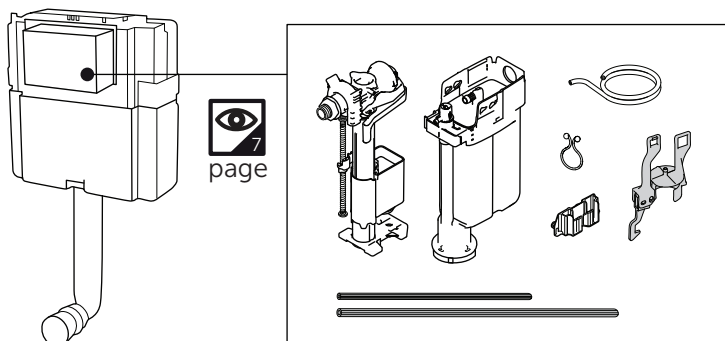
## WC FRAME/ CISTERN 80

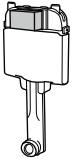


## WC FRAME/ CISTERN 120



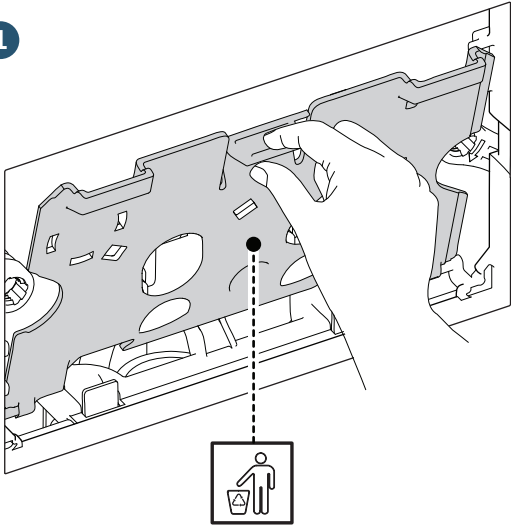
## WC FRAME/ CISTERN 150



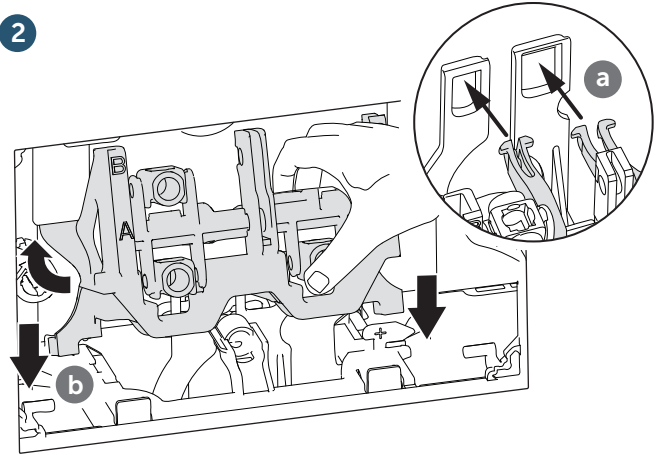


WC FRAME/ CISTERN 80

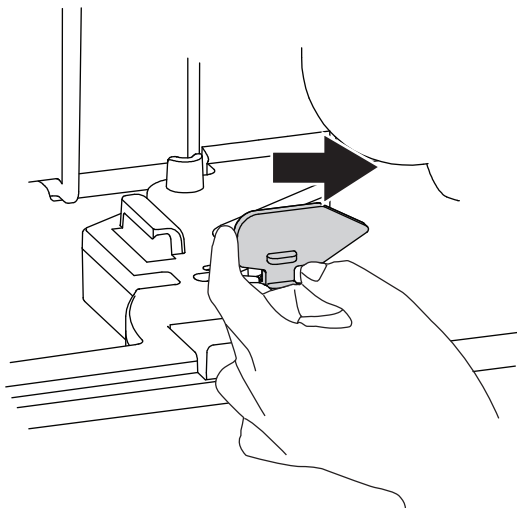
1



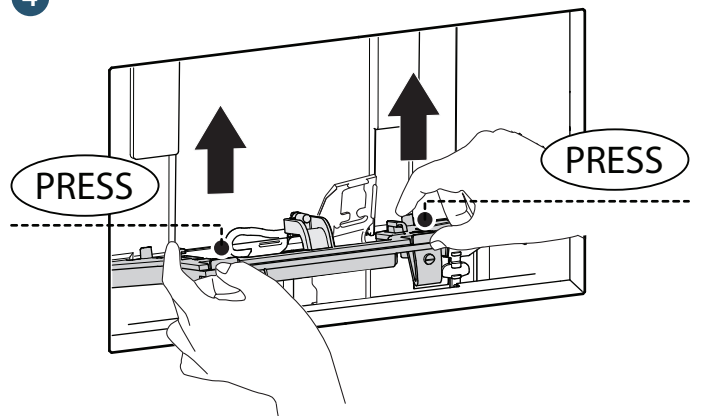
2



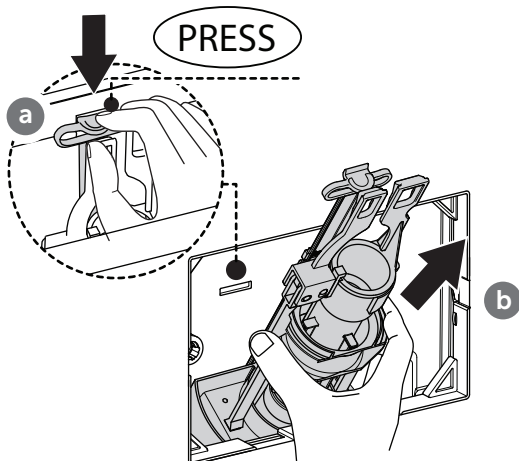
3



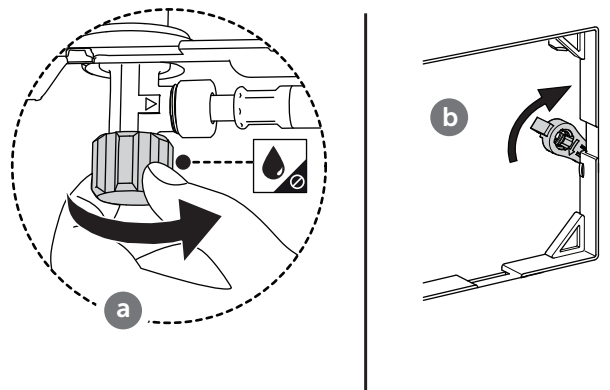
4



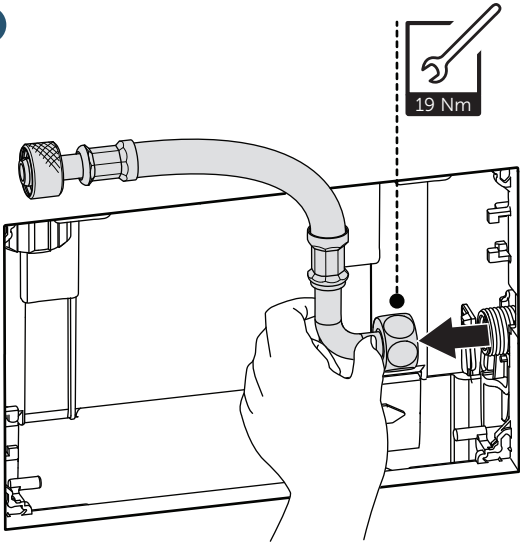
5



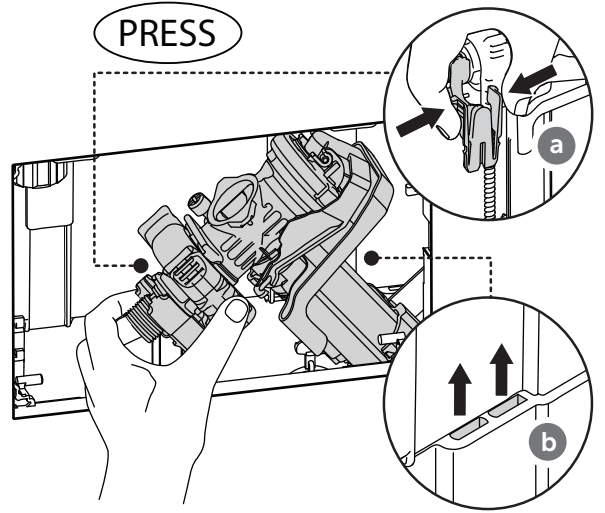
6



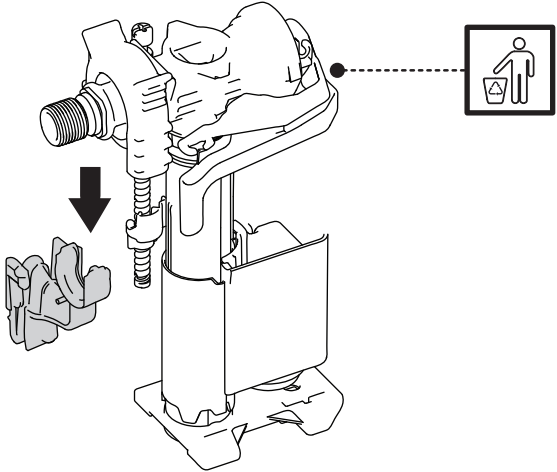
7



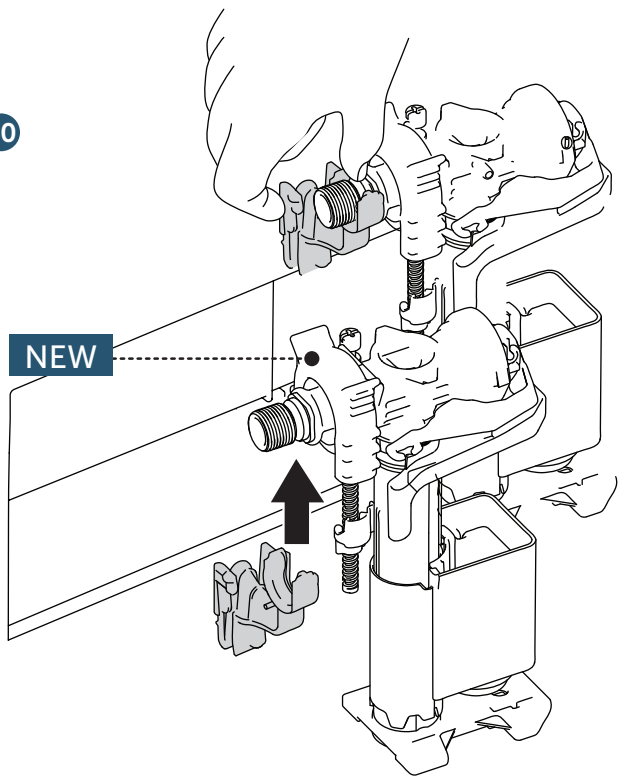
8



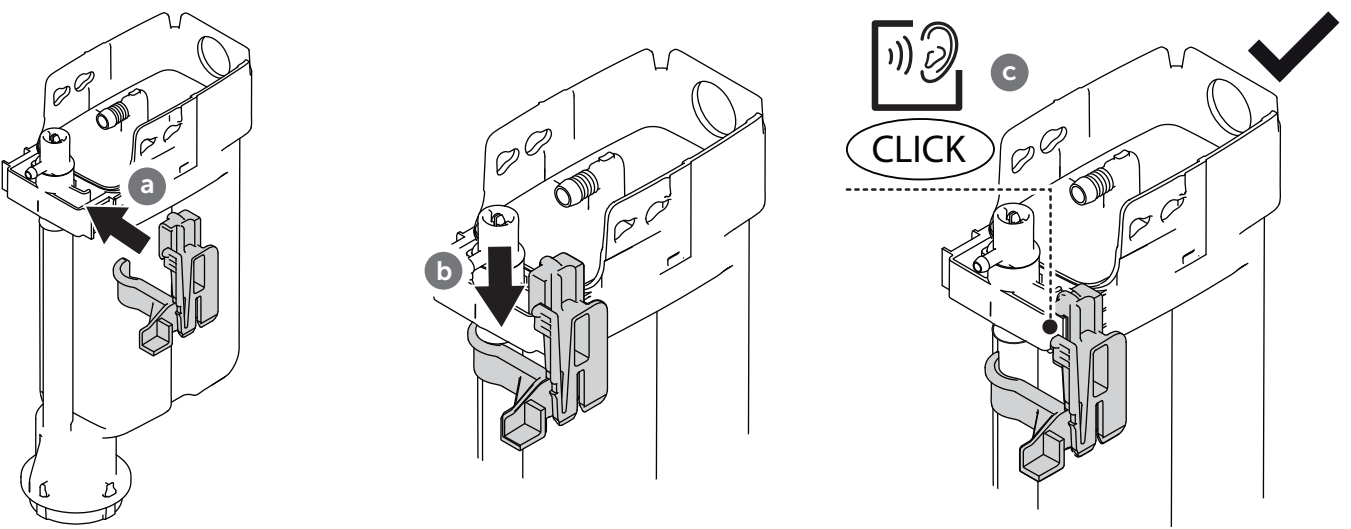
9



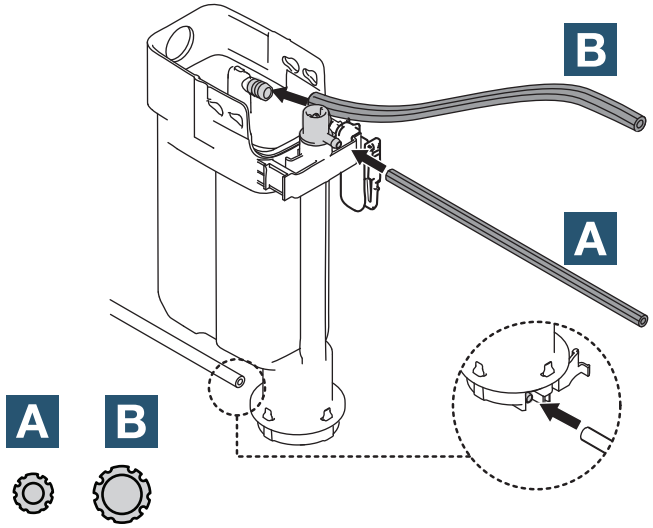
10



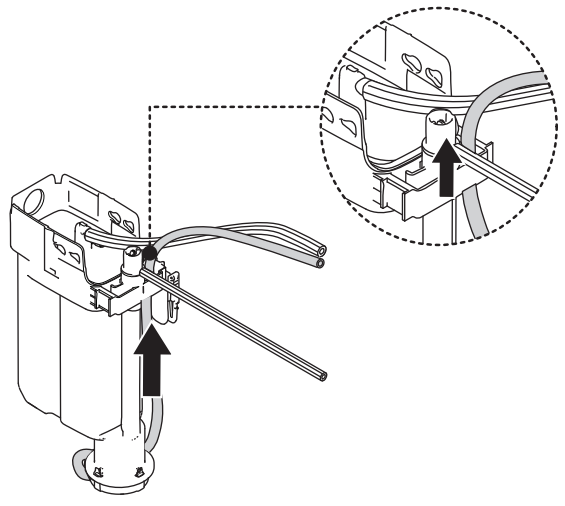
11



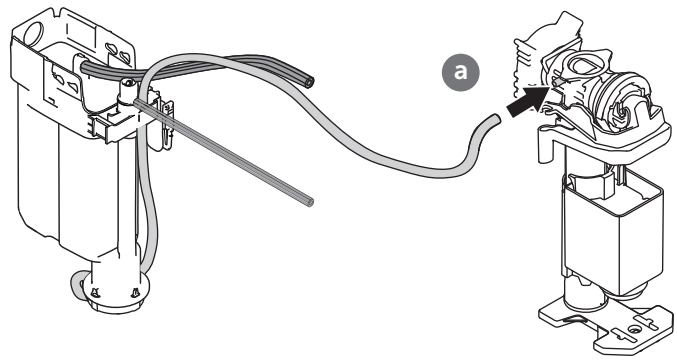
12



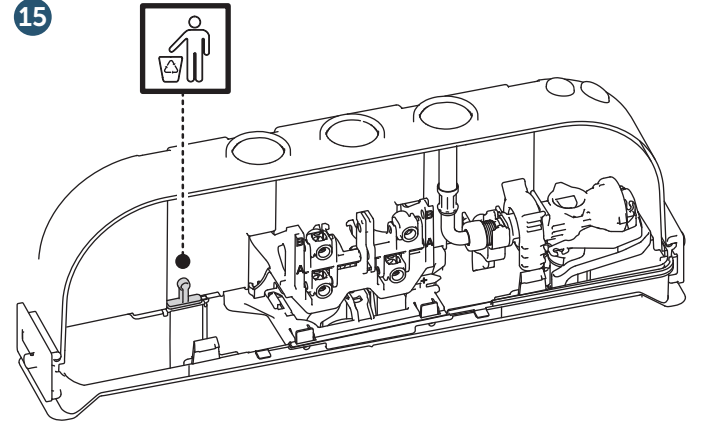
13



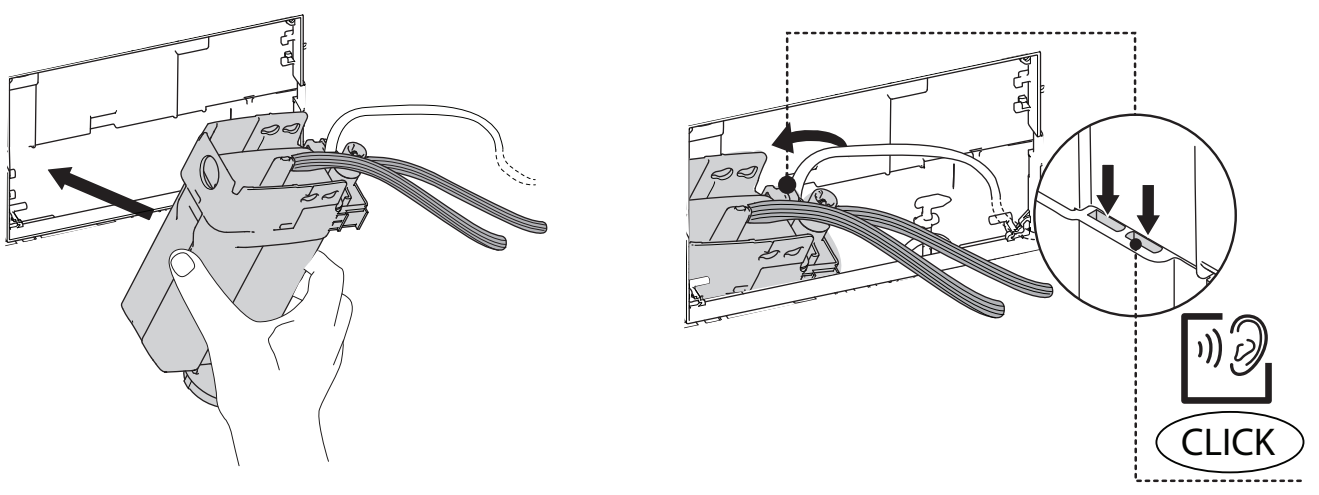
14



15

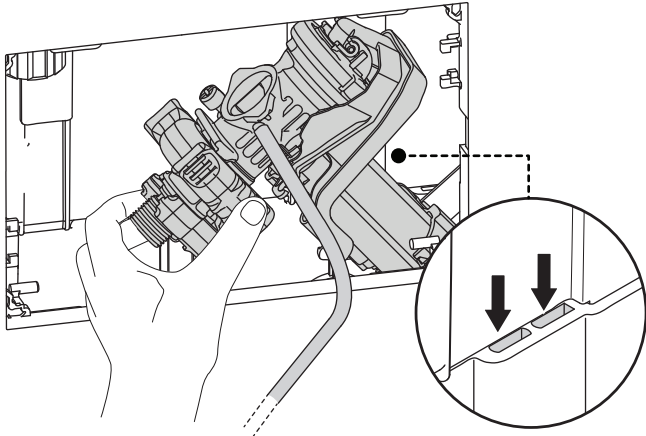


16

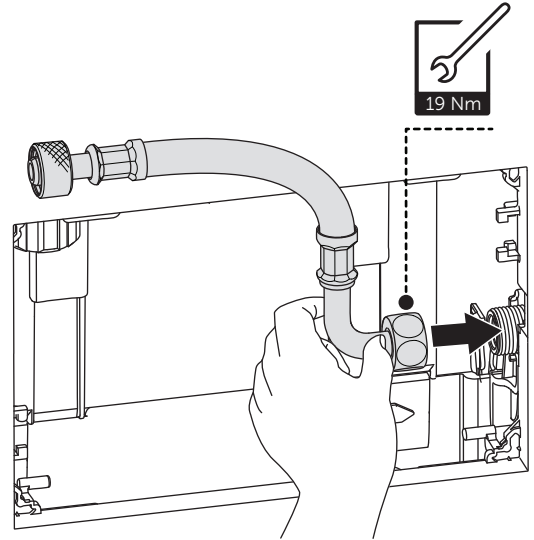




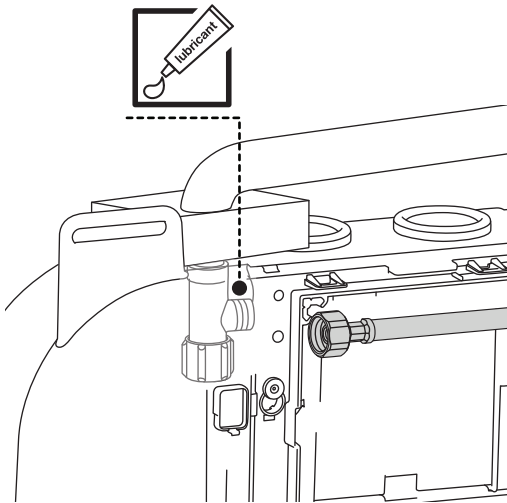
17



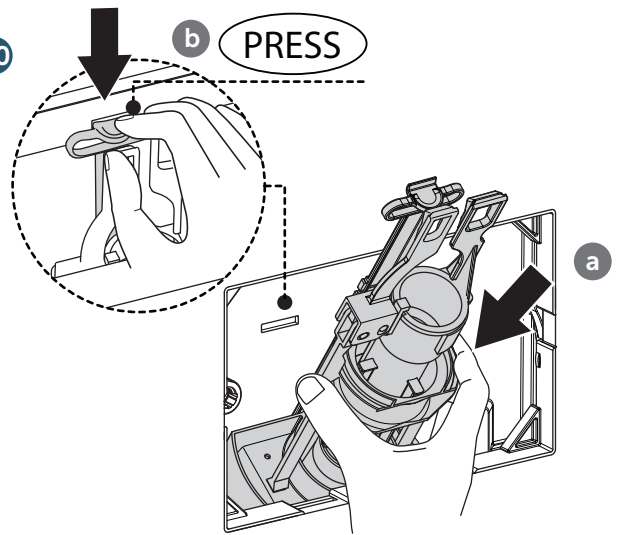
18



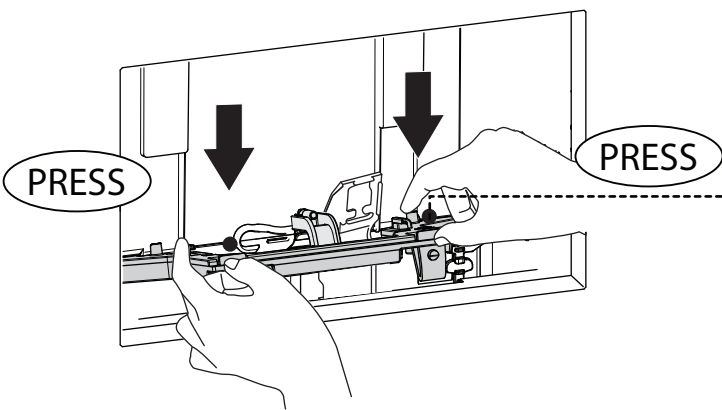
19



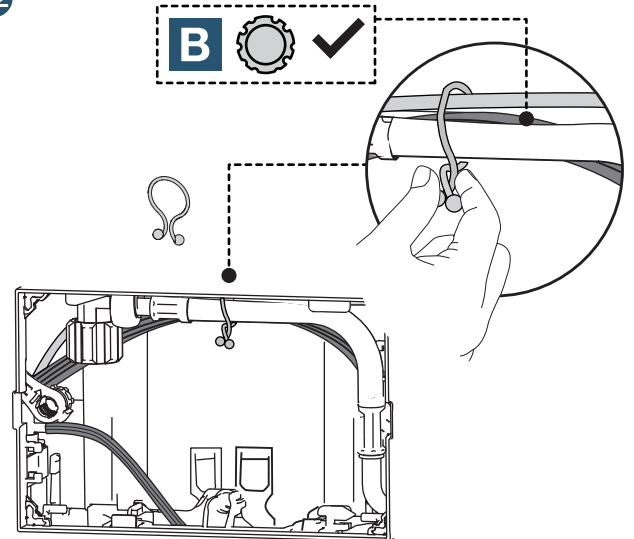
20



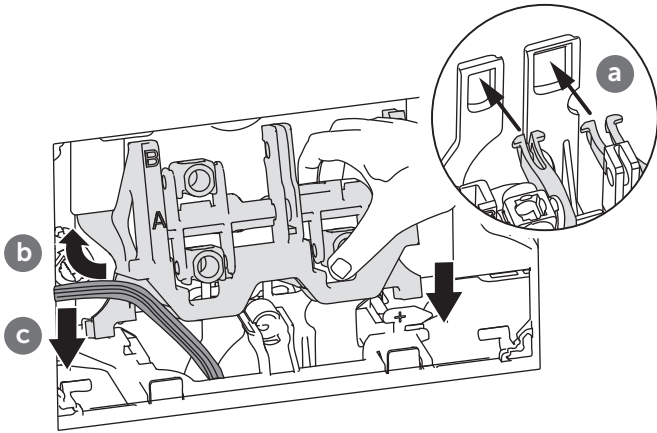
21



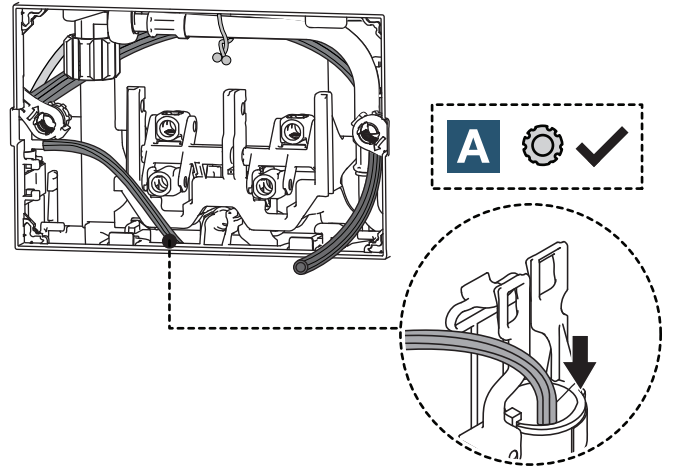
22



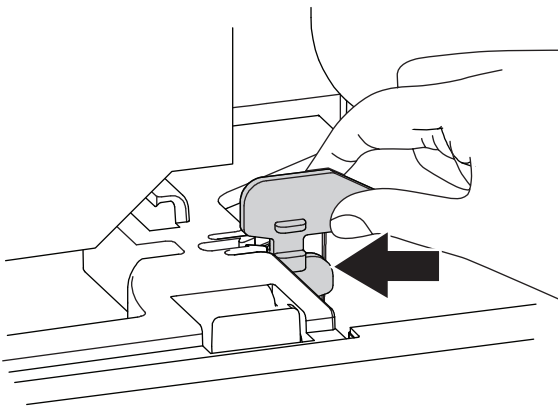
23



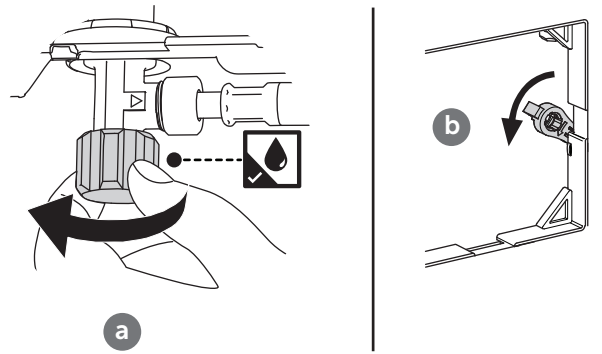
24



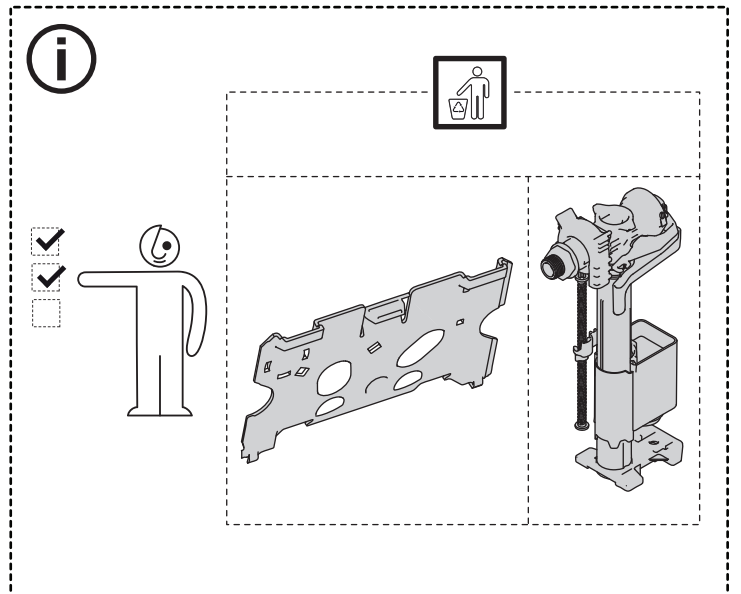
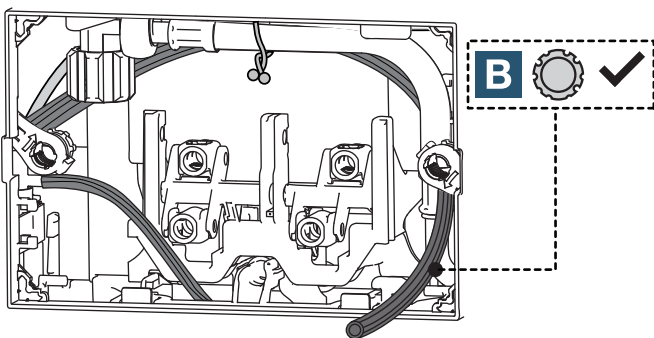
25

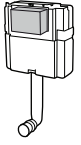


26



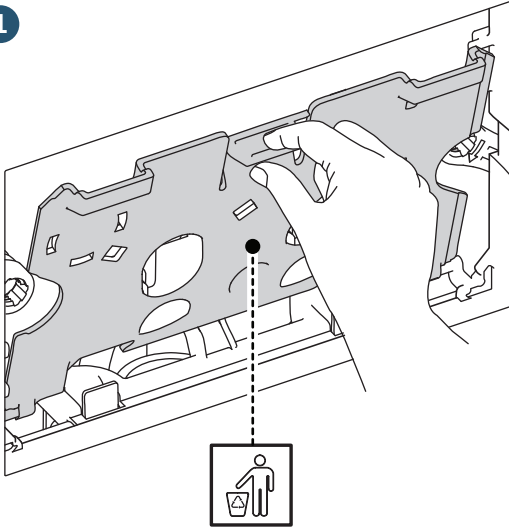
27



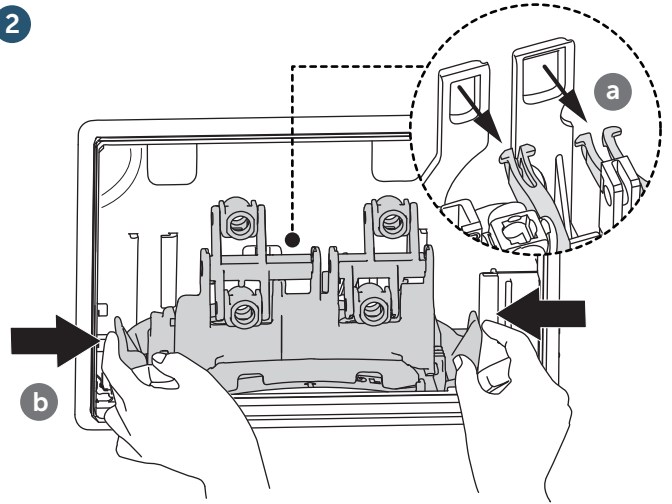


WC FRAME/ CISTERN 150

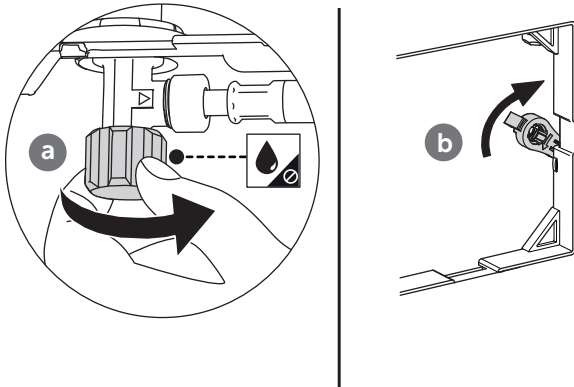
1



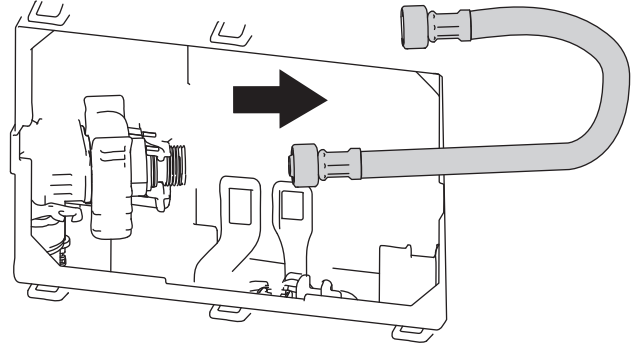
2



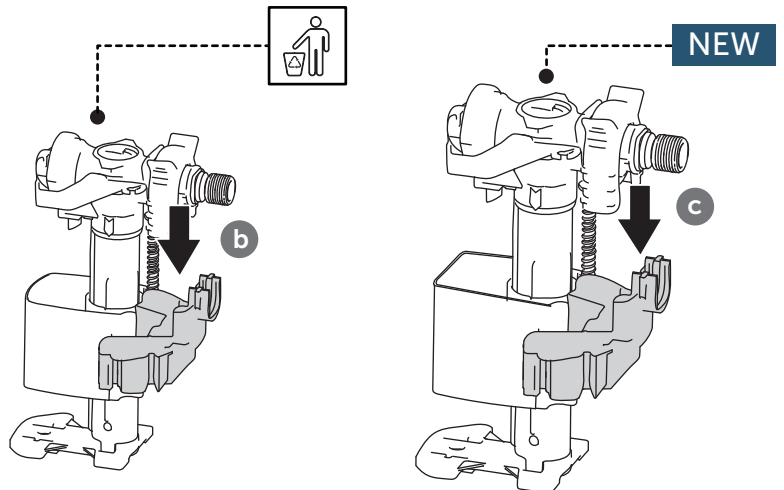
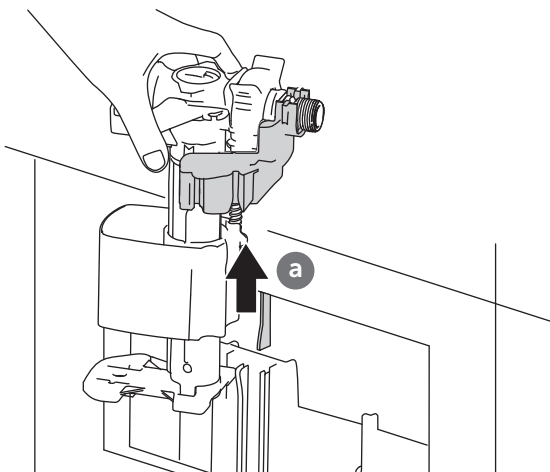
3



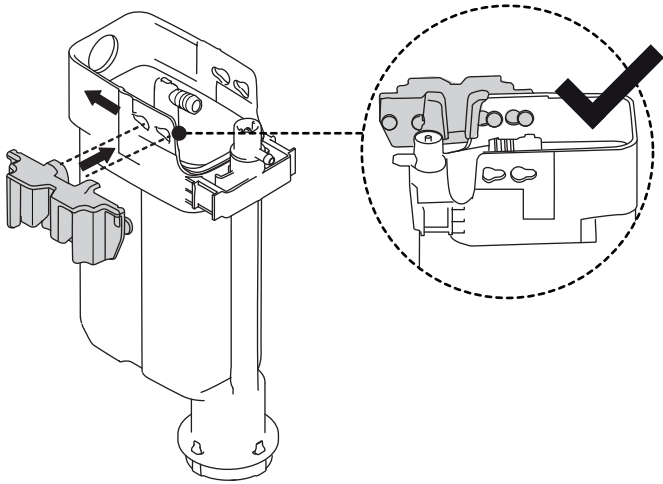
4



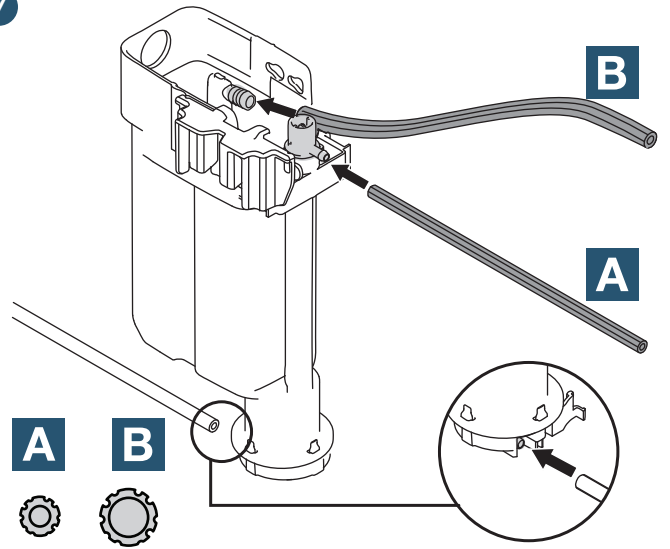
5



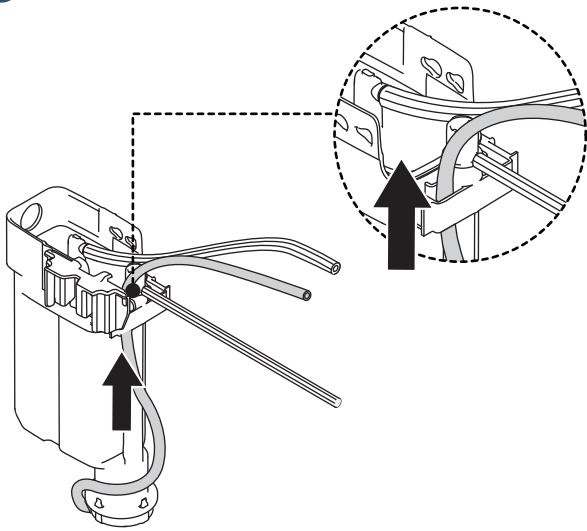
6



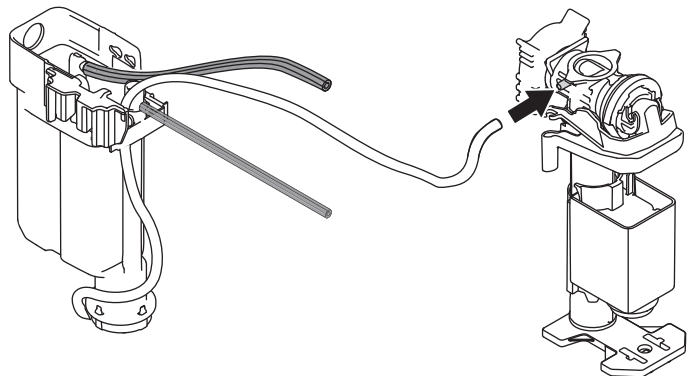
7



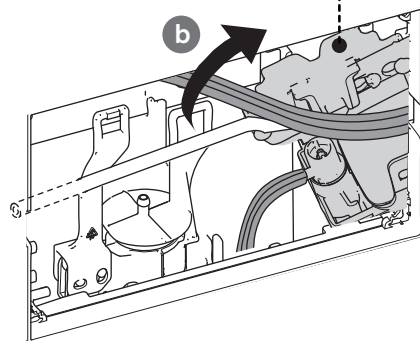
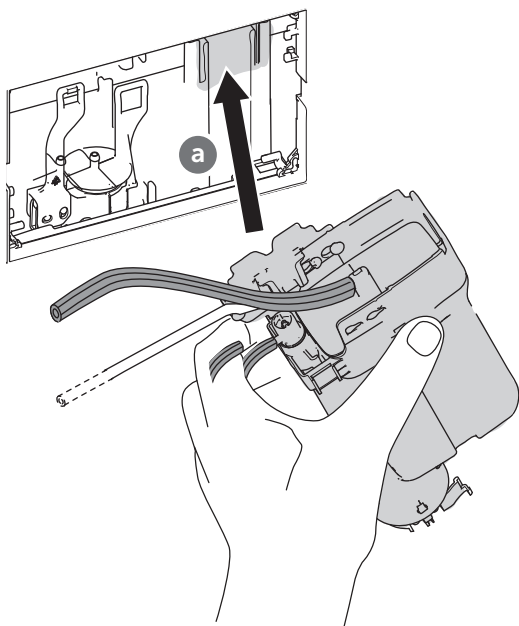
8



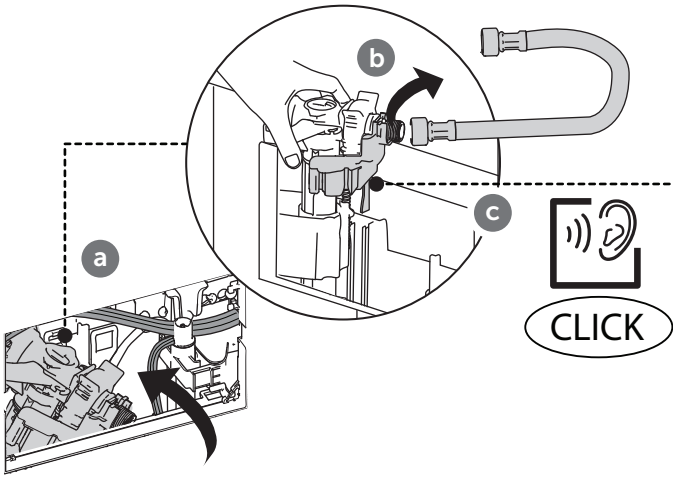
9



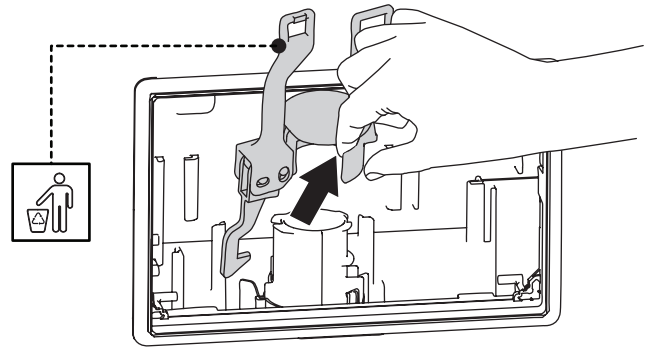
10



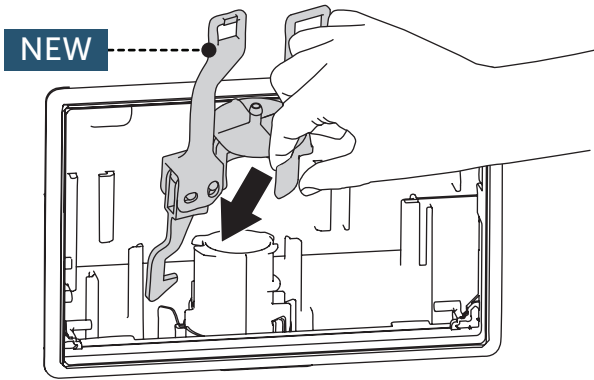
11



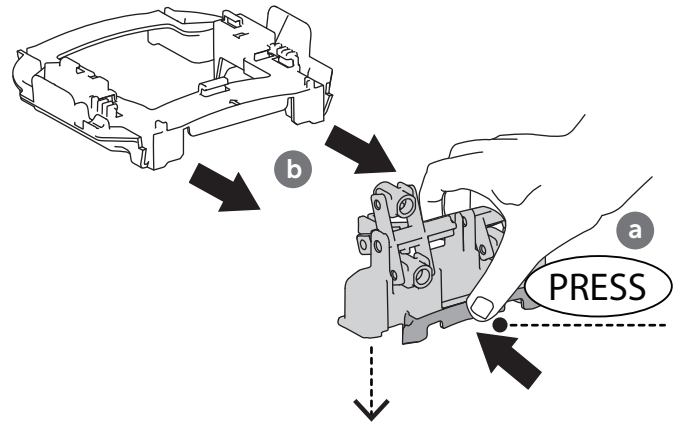
12



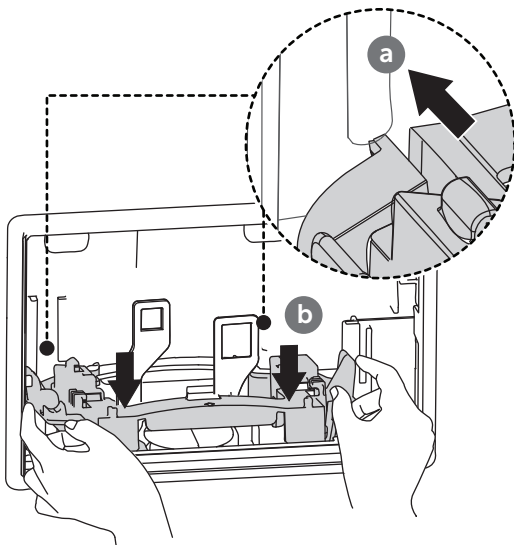
13



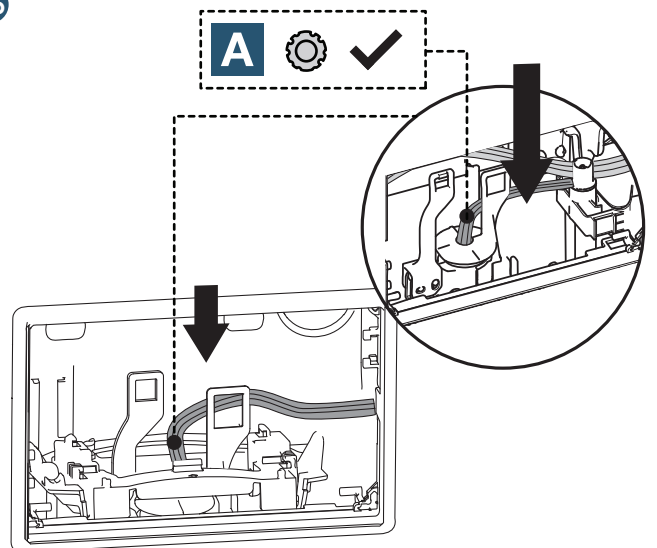
14



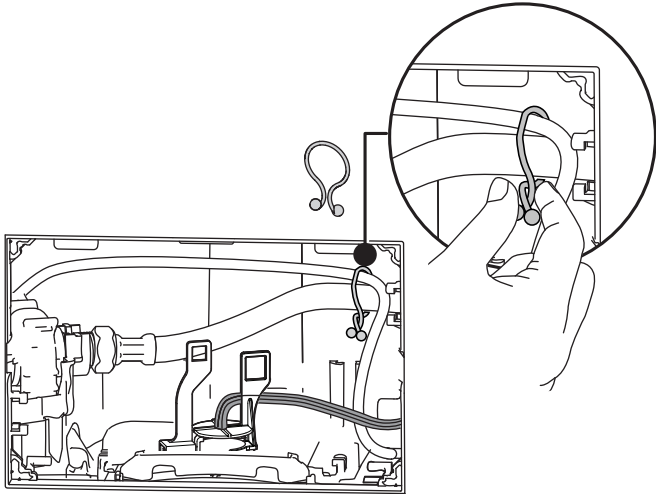
15



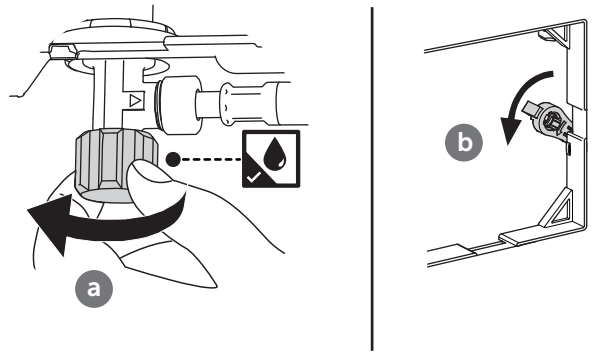
16



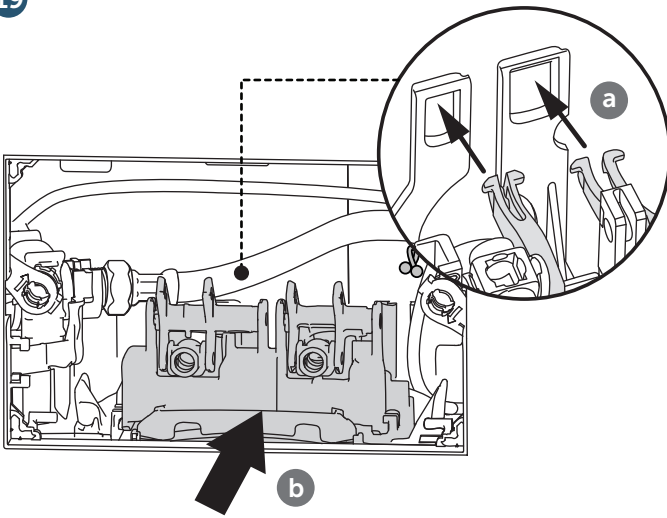
17



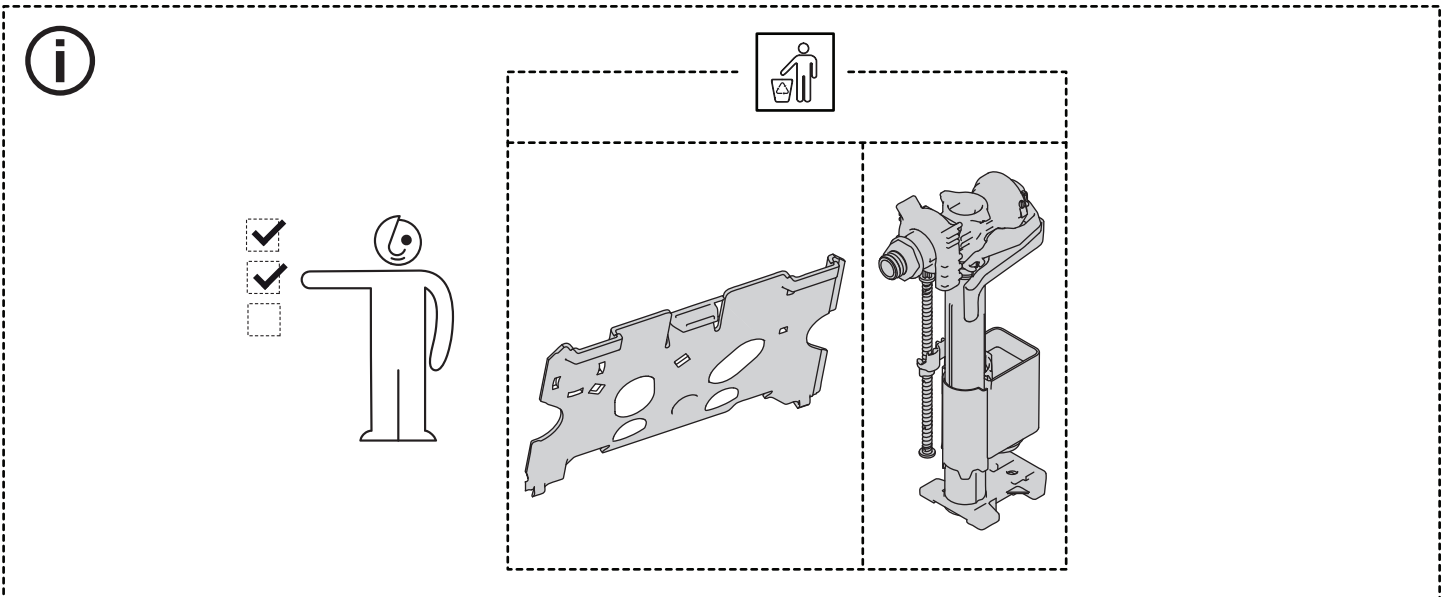
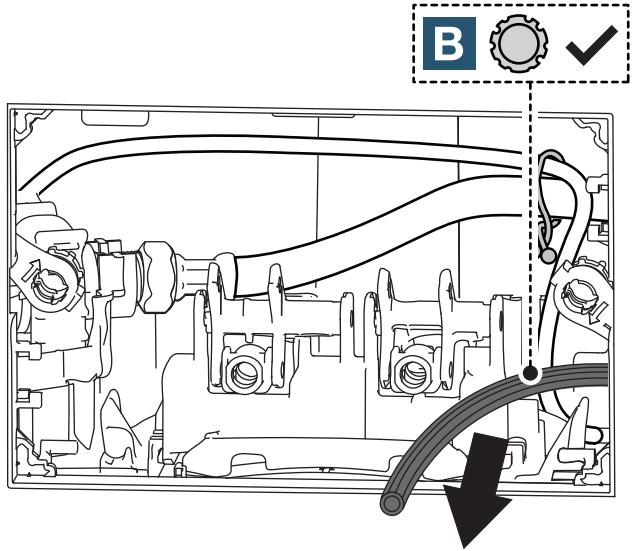
18



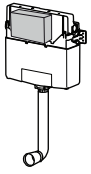
19



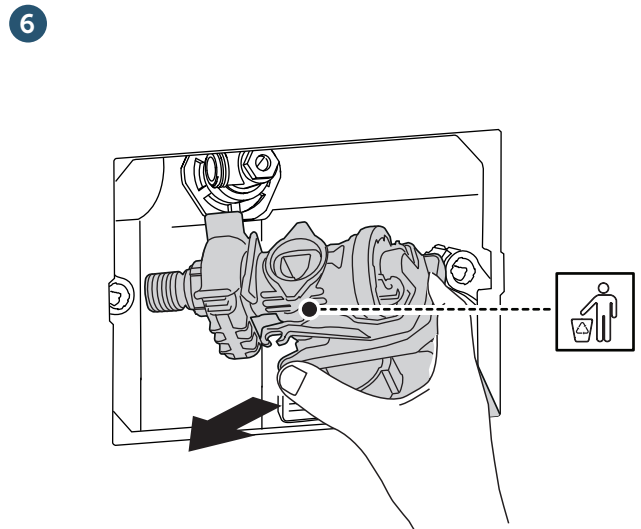
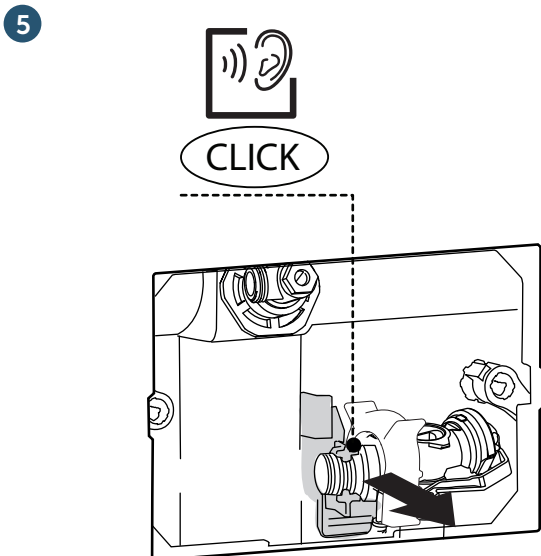
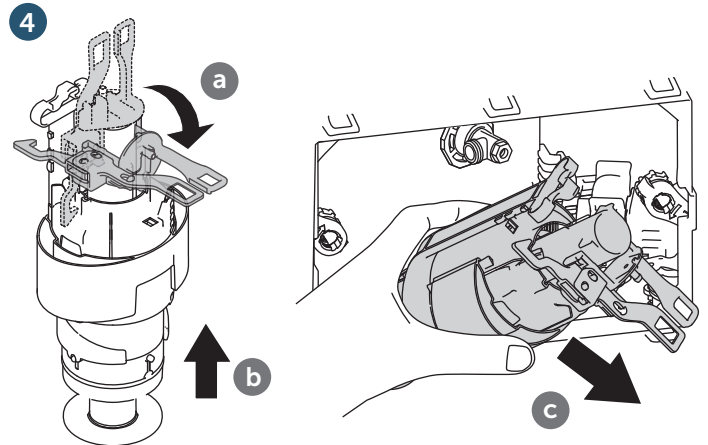
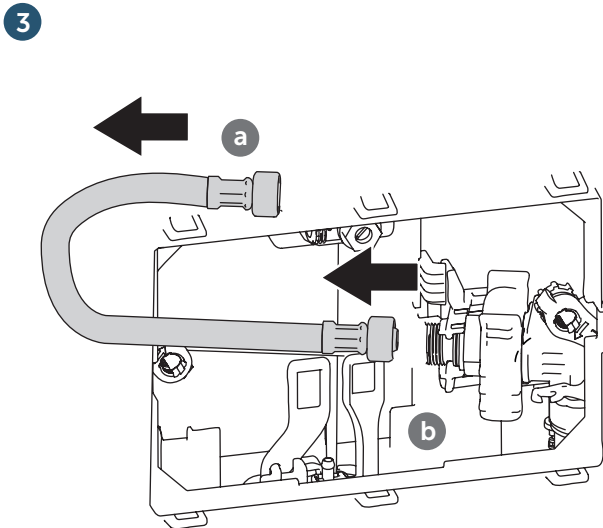
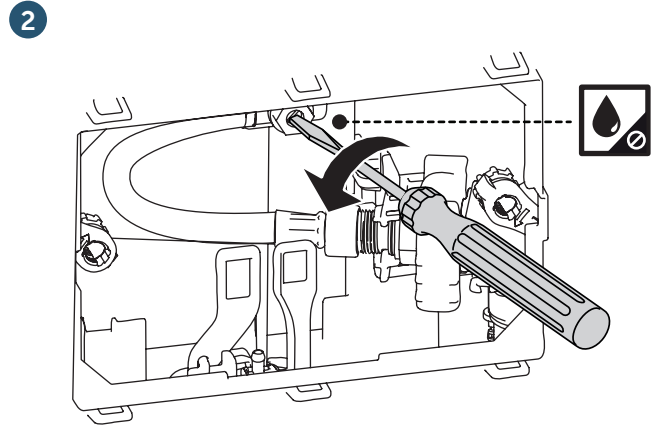
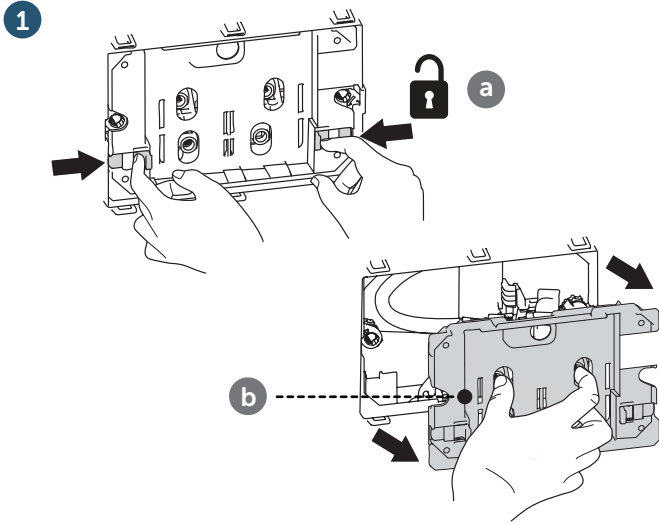
20





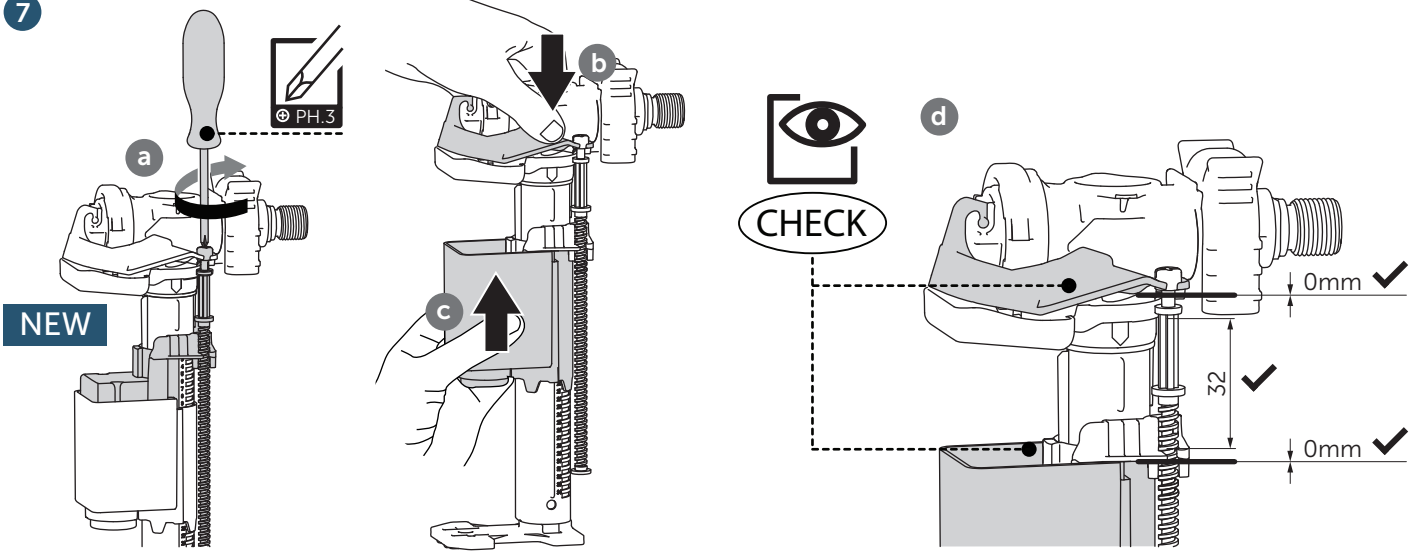


WC FRAME/ CISTERN 120

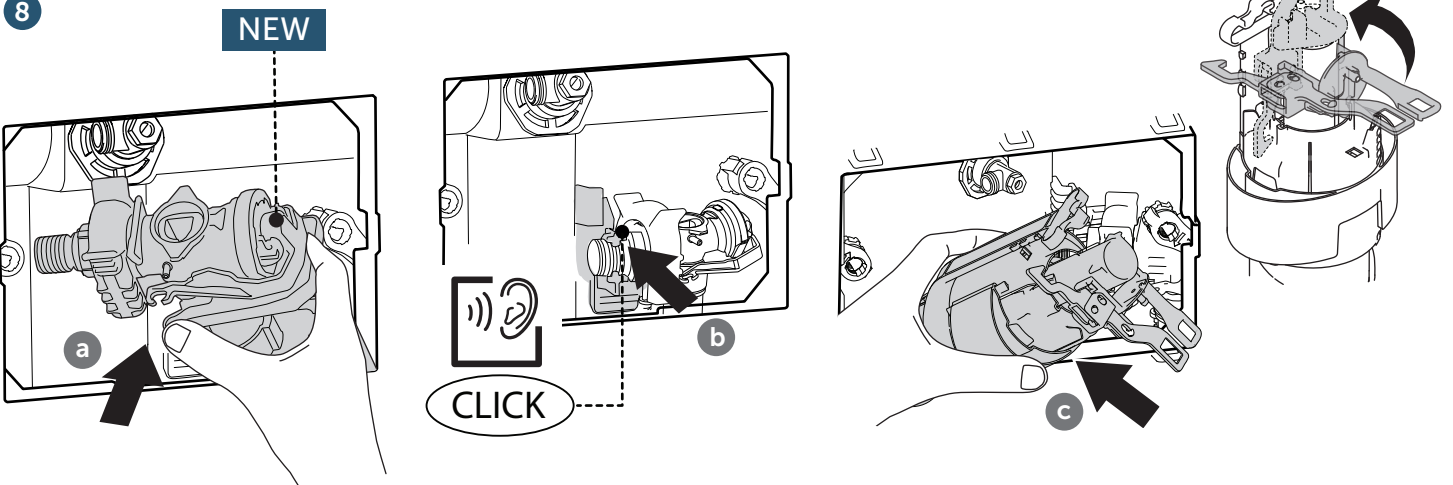




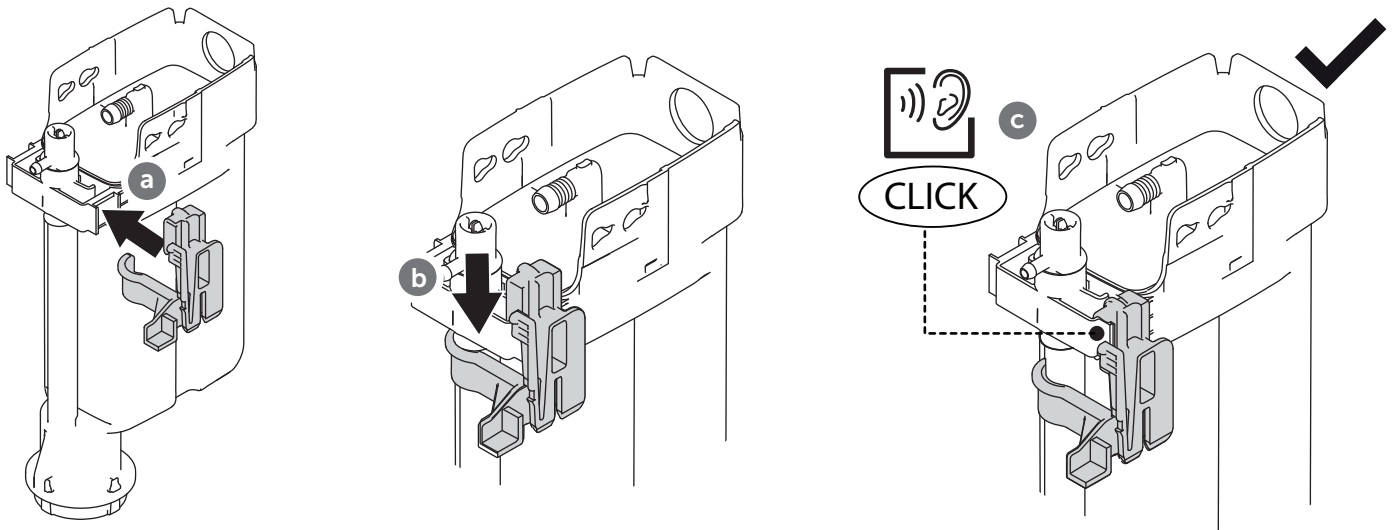
7

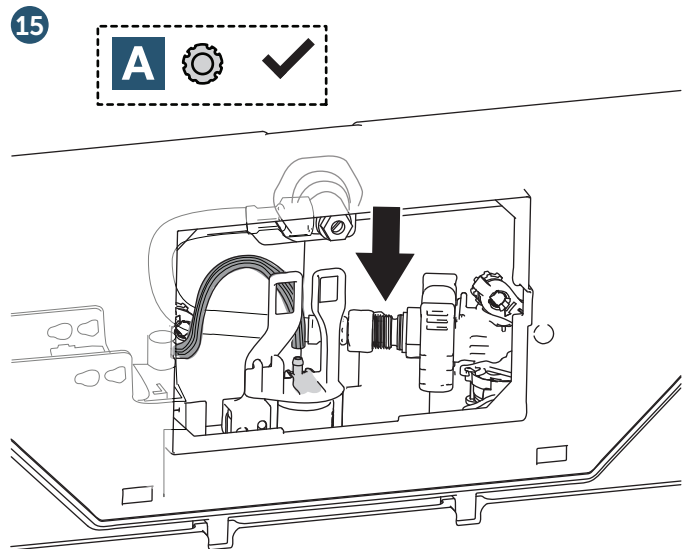
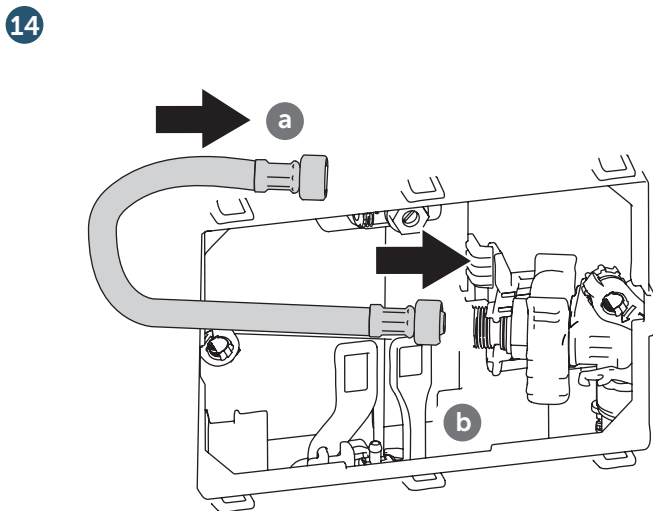
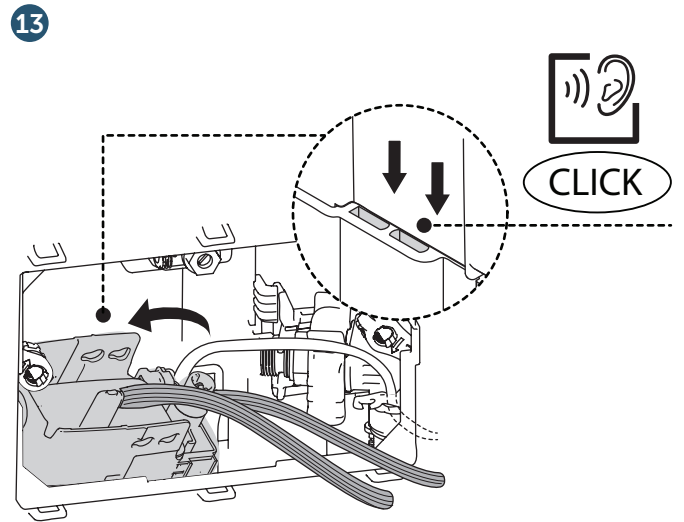
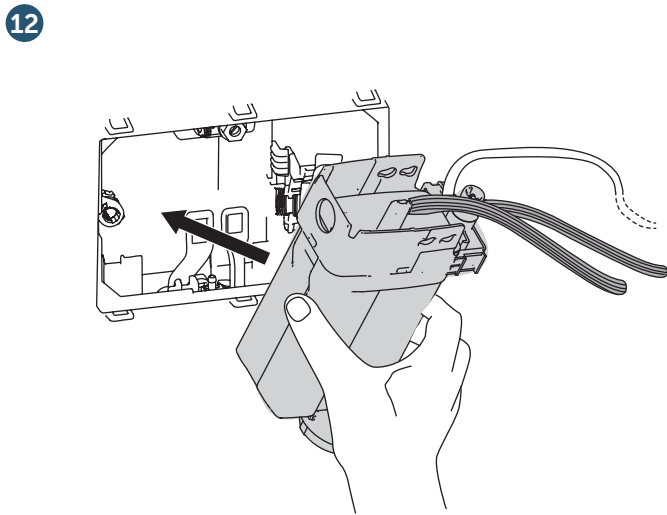
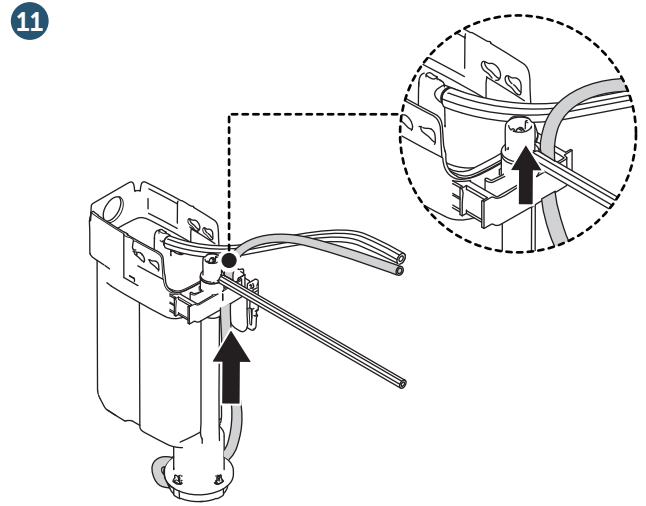
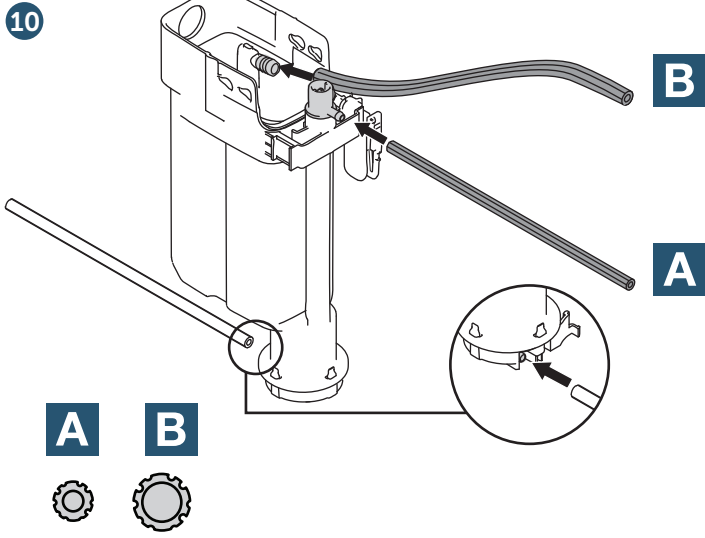


8

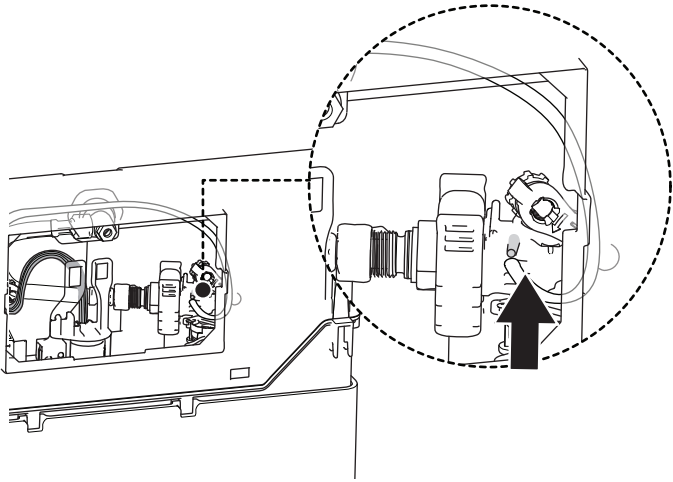


9

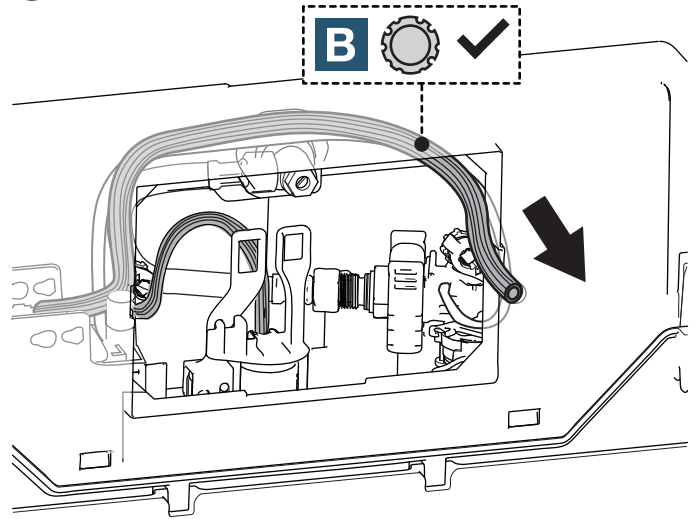




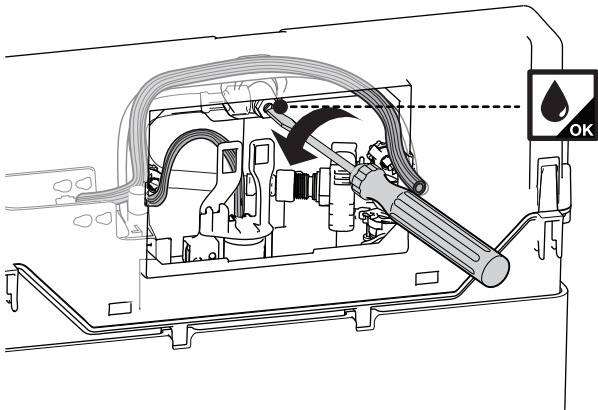
16



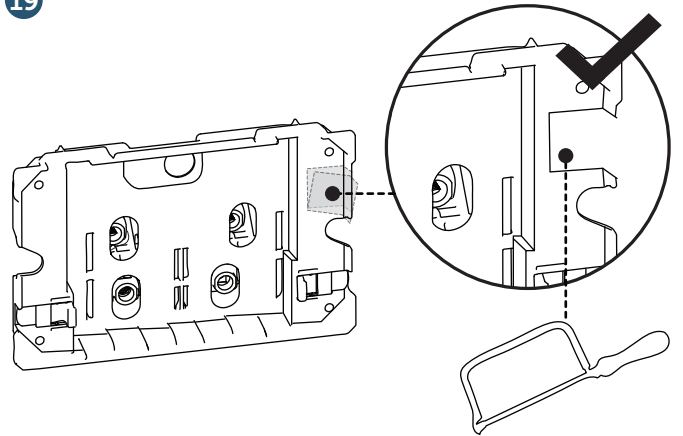
17



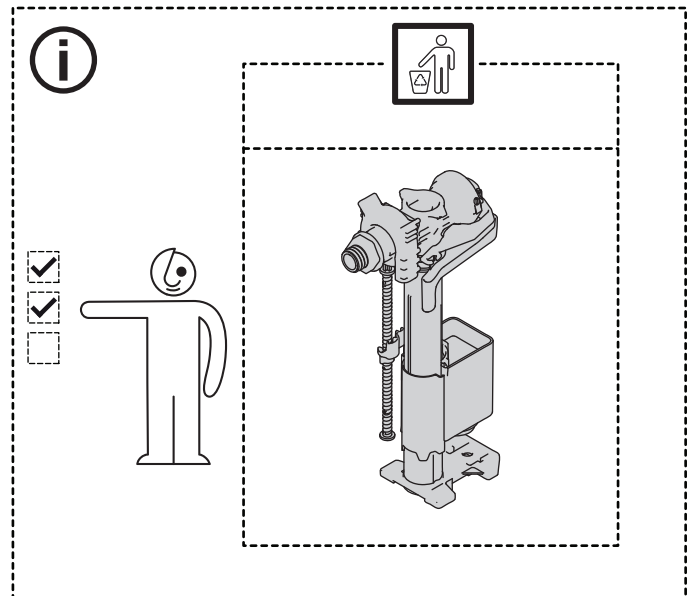
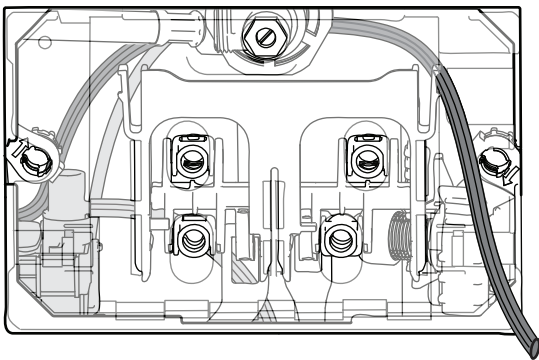
18






19

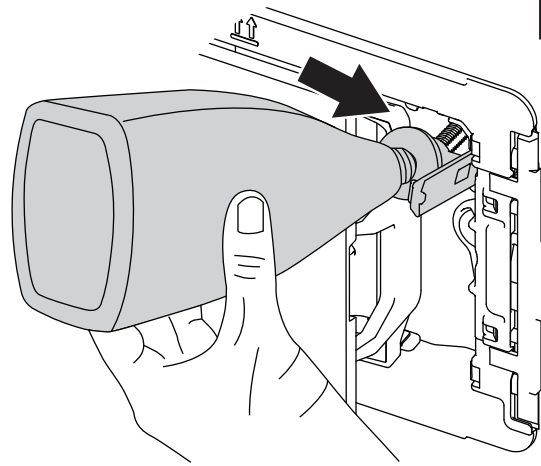


20





	<input checked="" type="checkbox"/>	150cp < VISCOSITY < 300cp (20°C)
	<input type="checkbox"/>	



---

Ideal Standard International NV  
Corporate Village – Gent Building  
Da Vincilaan 2  
B1935 – Zaventem  
Belgium



**BE** +32 (0)2 325 66 33  
**BG** +359 675 30362  
**DE** +49 (0)228 521 580  
**EG** +202 26969700  
**FR** +33 (0)1 49 38 28 00  
**GB** 01482 496 318  
**GR** +30 210 67 90 810  
**HR** +38591 22 99 304

**HU** +36 30 6991 594  
**IT** 800 652 290  
**ME** +971 4 804 2400  
**NL** +31 (0)77 355 08 08  
**PL** +48 71 7868 301/302  
**RO** +40 21 3223 201/202  
**SI** 00386 59 919040  
**TR** +90 216 314 87 87

**UA** +359 675 30 468  
**AL/XK/BA** +359 887 709 696  
**CZ/SK** +420 417 592 179  
**DK/NO/SE** +45 75 84 10 10  
**ES/PT** +34 93 561 80 00  
**LV/LT/EE** +371 673 57 792  
**RS/MK/ME** +381 11 713 80 58  
**RU/MD** +7 495 669 23 11

