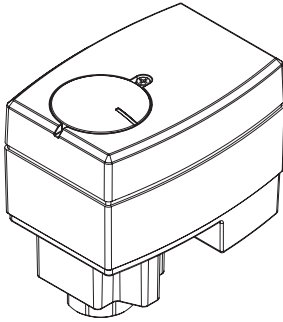
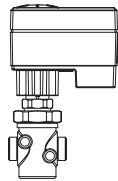


Operating Guide

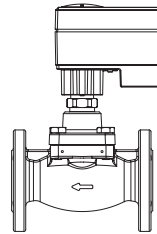
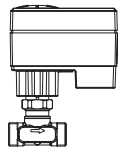
# AMV 13 SU



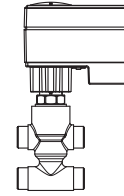
AMV 13 SU +  
VM 2 (DN 15-32)



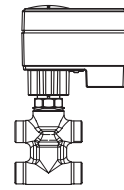
AMV 13 SU +  
VS 2 (DN 20, 25)



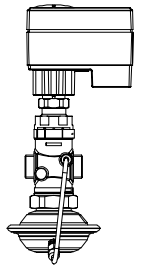
AMV 13 SU +  
VB 2 (DN 15-25)



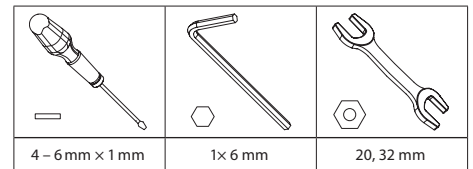
AMV 13 SU +  
VZ (DN 15, 20)



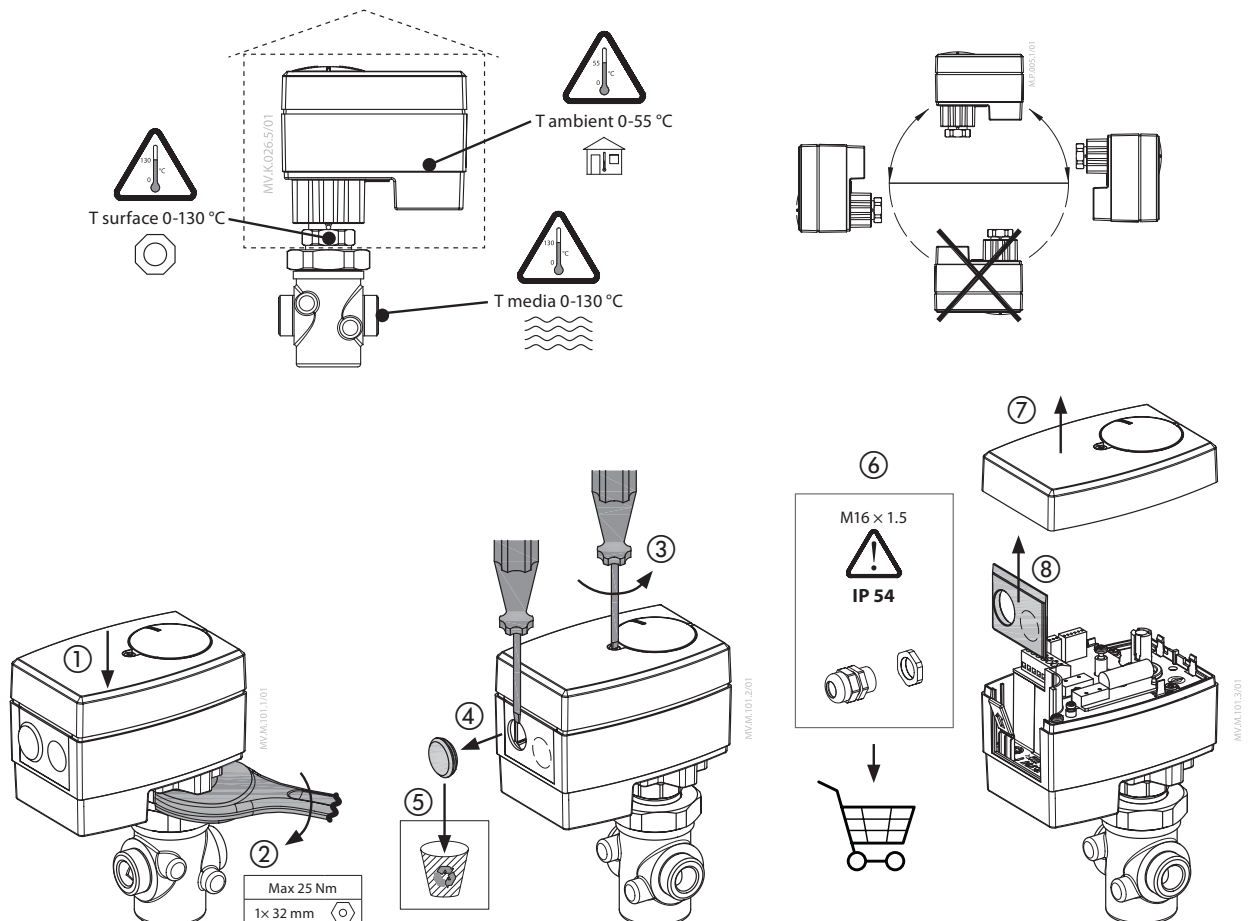
AMV 13 SU +  
VZL (DN 15, 20)



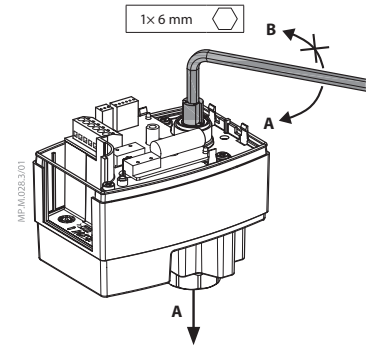
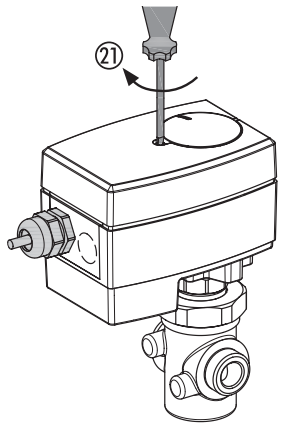
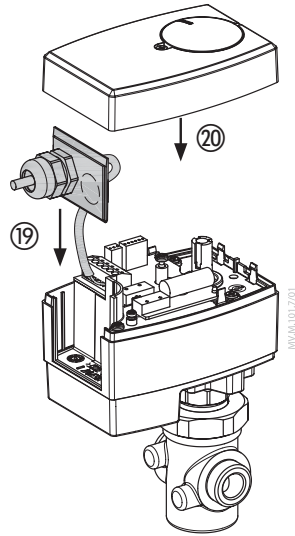
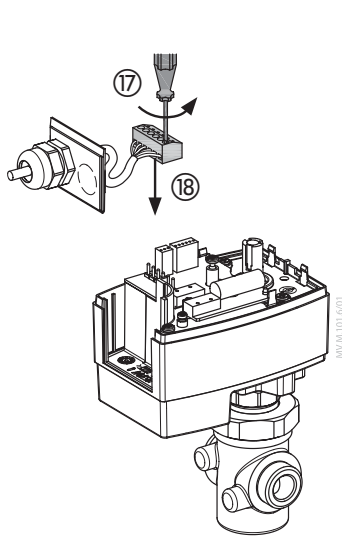
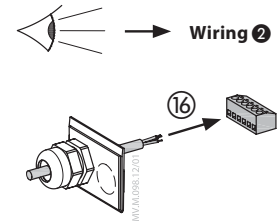
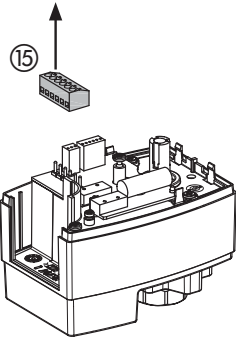
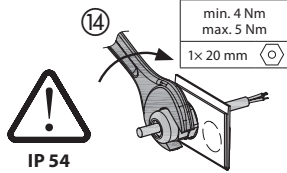
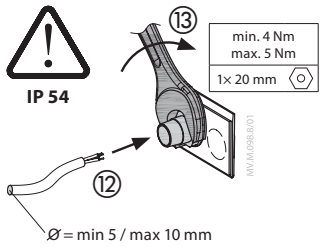
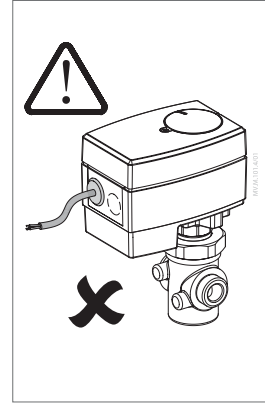
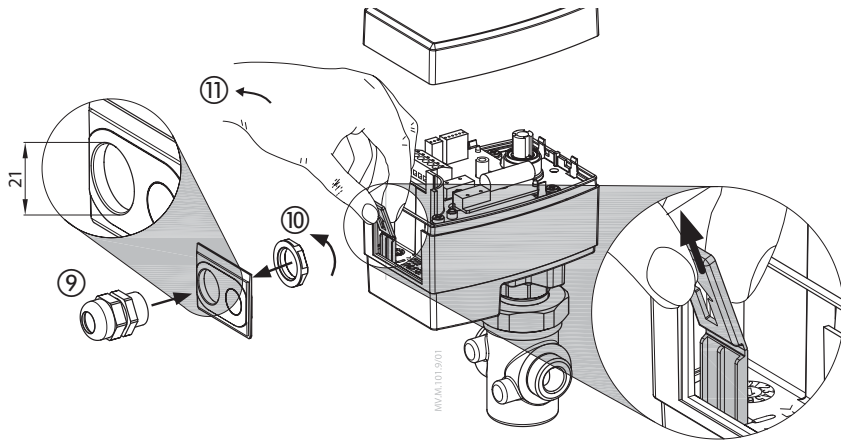
AMV 13 SU +  
AVQM (see data sheet)



1



AMV 13 SU

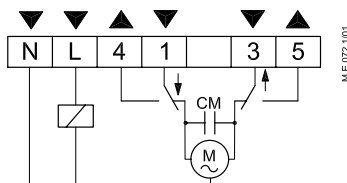


2



≤ 24 Vac,  
≤ 230 Vac

Code No.	
082G3043	24 V
082G3042	230 V



N	0 Vac	Neutral				
L	24/230 Vac	Power supply				
1	24/230 Vac	Input				
3						
4,5	<table border="1"> <tr> <td>1</td> <td>4</td> </tr> <tr> <td>3</td> <td>5</td> </tr> </table>	1	4	3	5	Output
1	4					
3	5					

**Danfoss A/S**  
Heating Segment • heating.danfoss.com • +45 7488 2222 • E-Mail: heating@danfoss.com

Danfoss can accept no responsibility for possible errors in catalogues, brochures and other printed material. Danfoss reserves the right to alter its products without notice. This also applies to products already on order provided that such alterations can be made without consequential changes being necessary in specifications already agreed. All trademarks in this material are property of the respective companies. Danfoss and all Danfoss logotypes are trademarks of Danfoss A/S. All rights reserved.