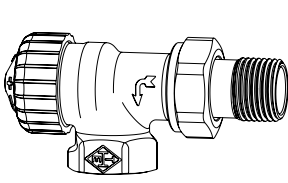
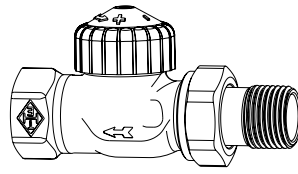


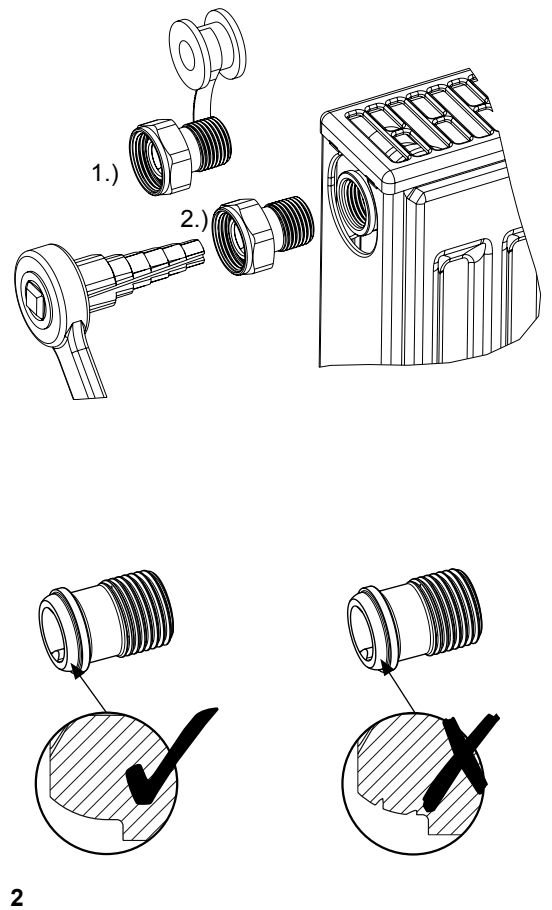
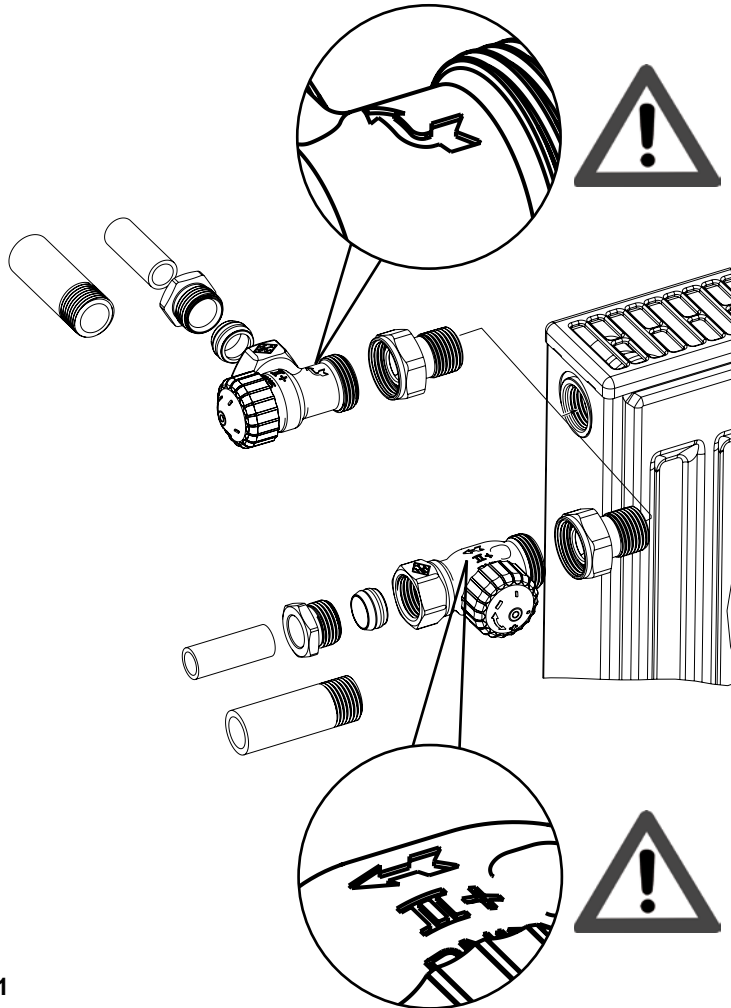
Eclipse

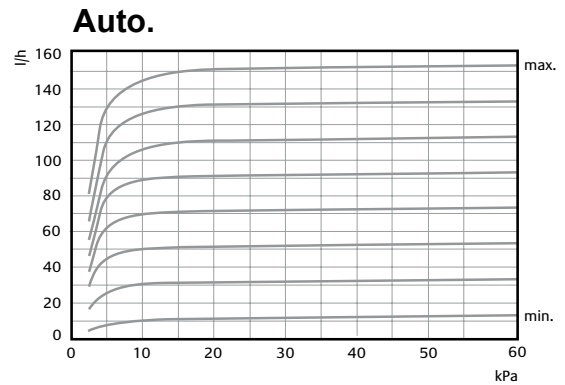
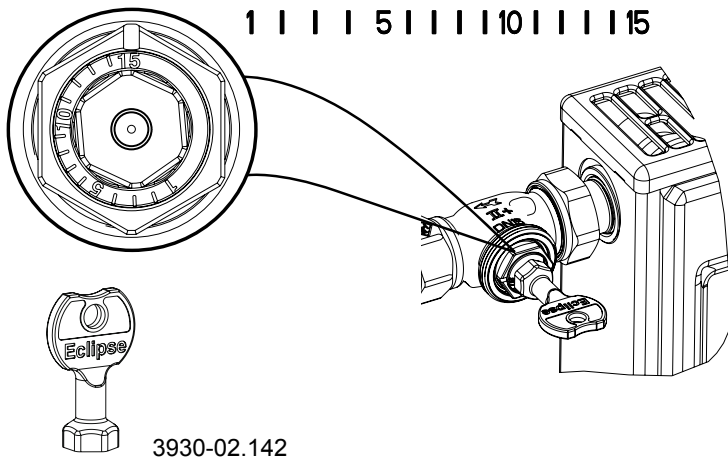
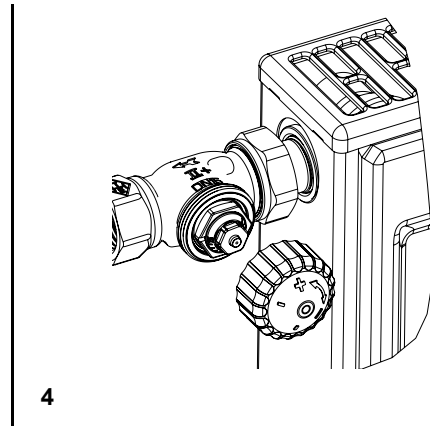
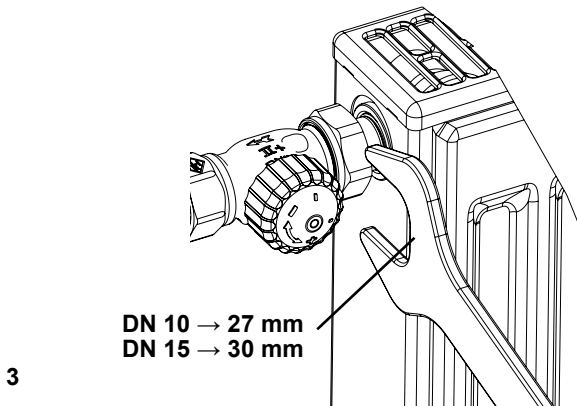



DN 10 9113-01.000
DN 15 9113-02.000

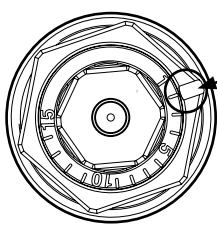


DN 10 9114-01.000
DN 15 9114-02.000





	1				5					10					15
l/h	10	20	30	40	50	60	70	80	90	100	110	120	130	140	150



Δt [K]	200	250	300	400	500	600	700	800	900	1000	1200	1400	1600	1800	2000	2200	2400	2600	2800	3000	3200	3400	3600	3800	4000	4800	5300	6500	6800	
10	2	2	3	3	4	5	6	7	8	9	10	12	14	15																
15	1	1	2	2	3	3	4	5	5	6	7	8	9	10	12	13	14	15												
20	1	1	1	2	2	3	3	3	4	4	5	6	7	8	9	10	10	11	12	13	14	15								
40	1	1	1	1	1	2	2	2	2	3	3	3	4	4	5	5	6	6	7	7	7	8	8	8	9	10	11	14	15	

Δp min. 10 - 100 l/h = 10 kPa
Δp min. 100 - 150 l/h = 15 kPa

We reserve the right to introduce technical alterations without previous notice.