

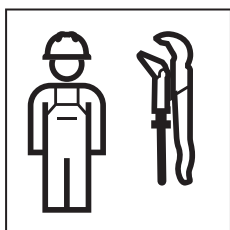
# MAINTENANCE MANUAL

INSTANDHALTUNGSANLEITUNG

MANUEL D'ENTRETIEN

ISTRUZIONI PER LA MANUTENZIONE

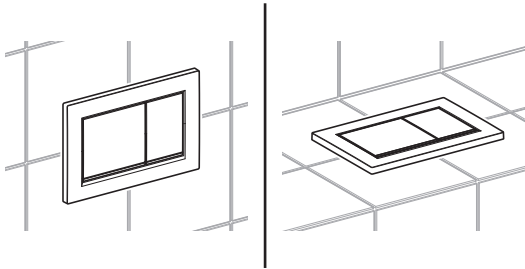
**KNOW  
HOW**  
INSTALLED



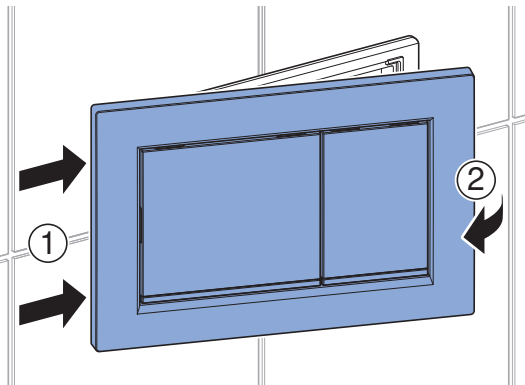


1

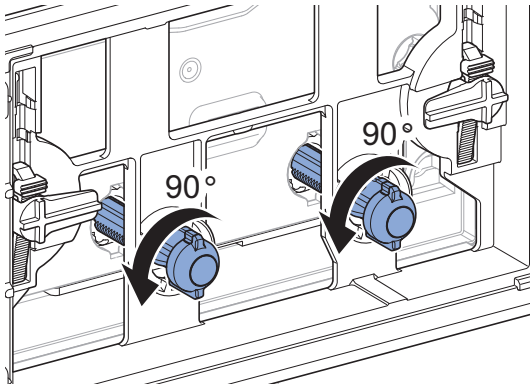
✓



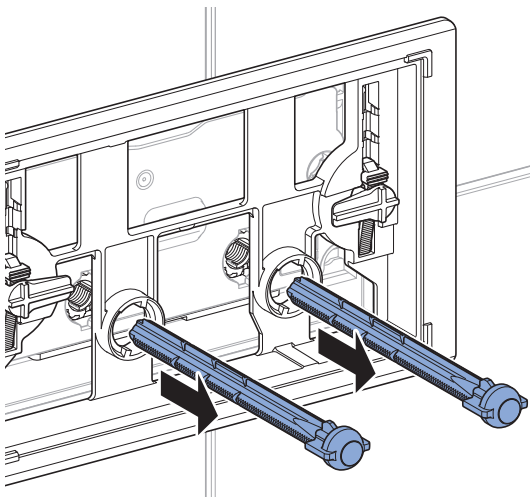
1



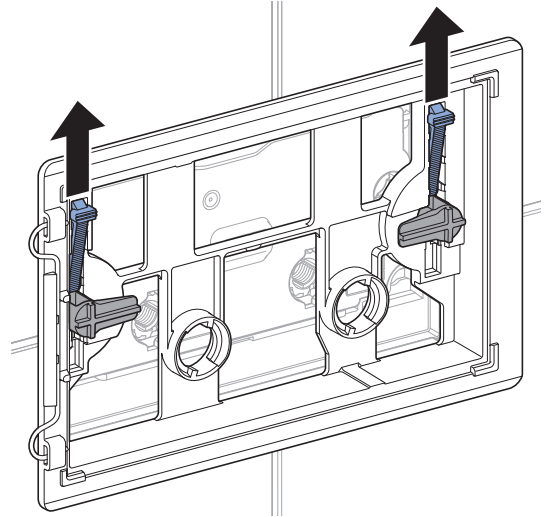
2



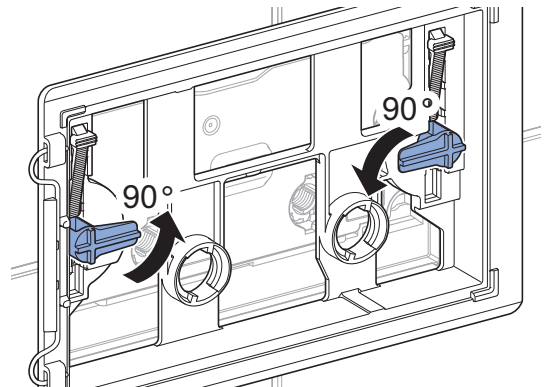
3



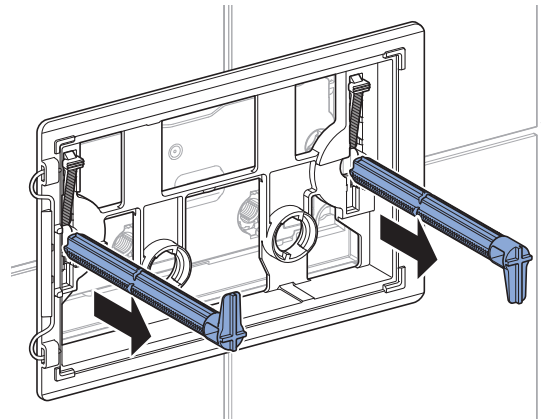
4



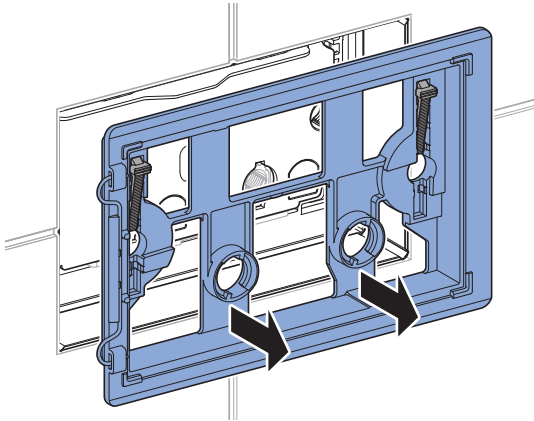
5



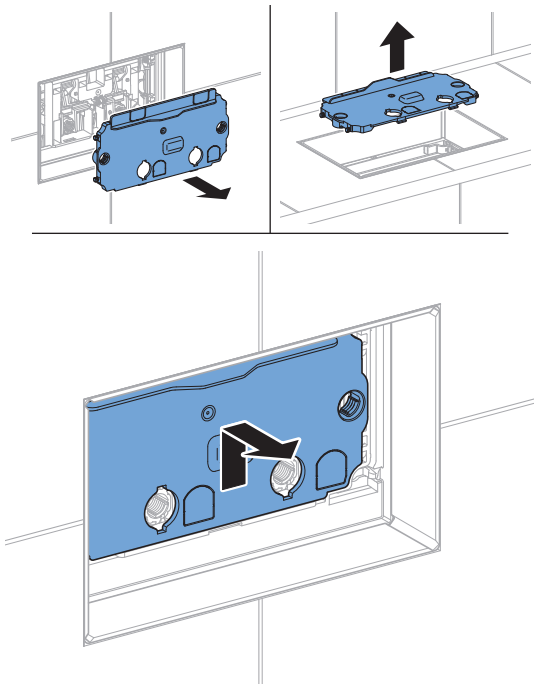
6



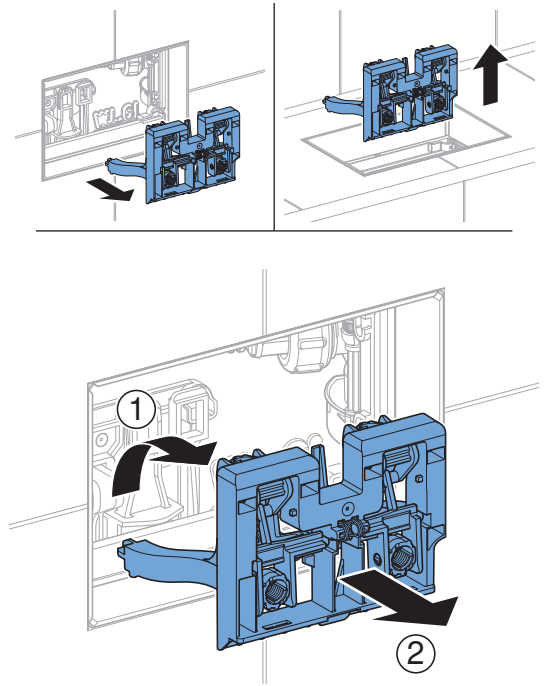
7



8

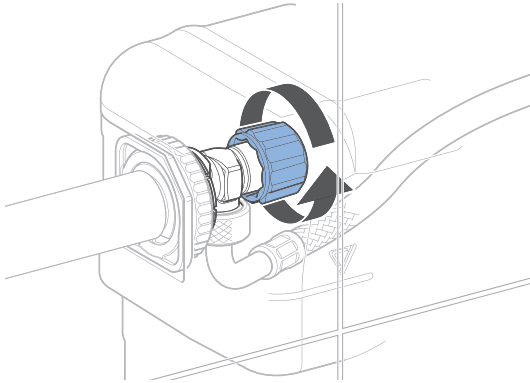


9

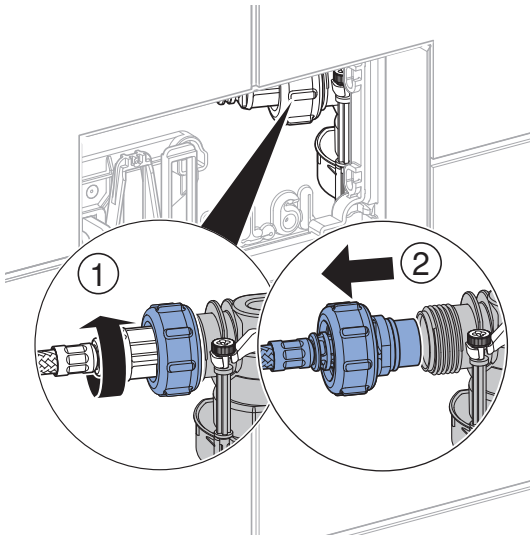


2

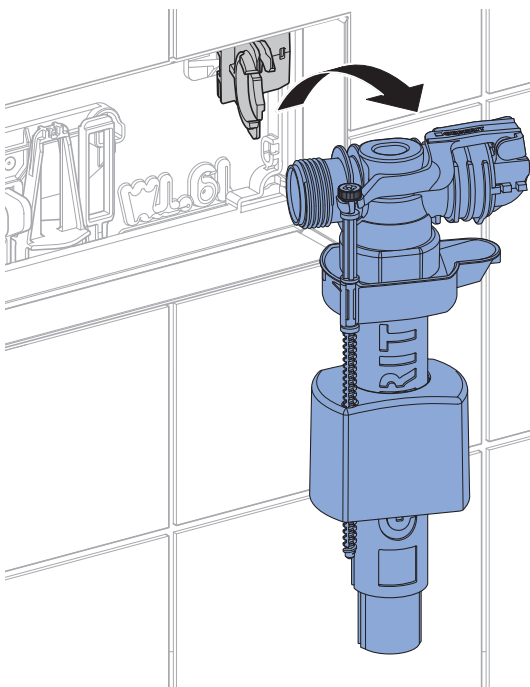
i



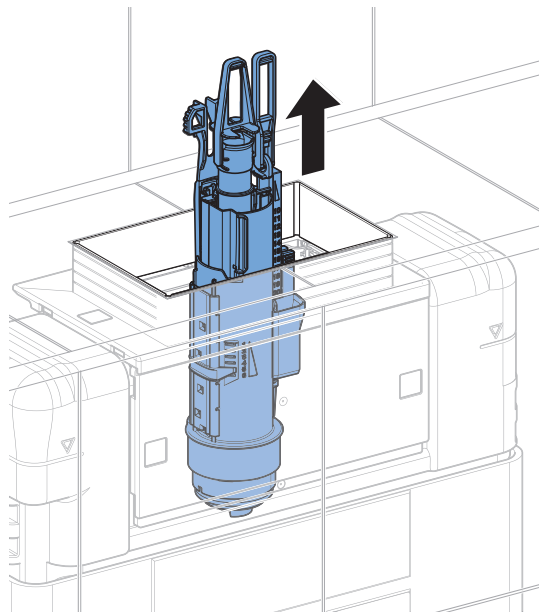
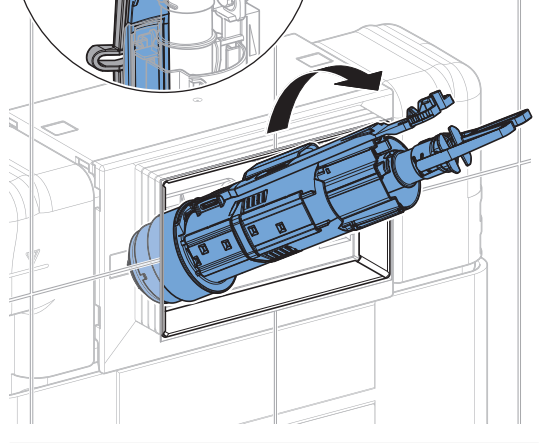
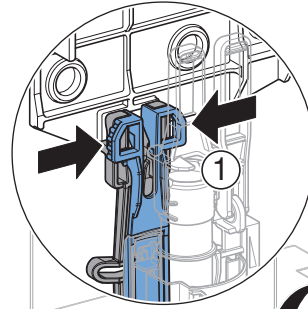
1

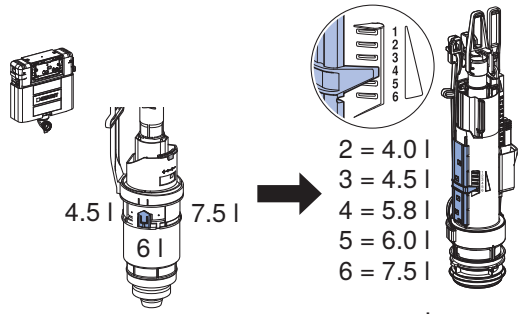


2

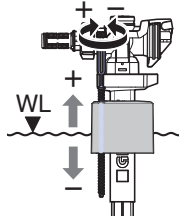


3

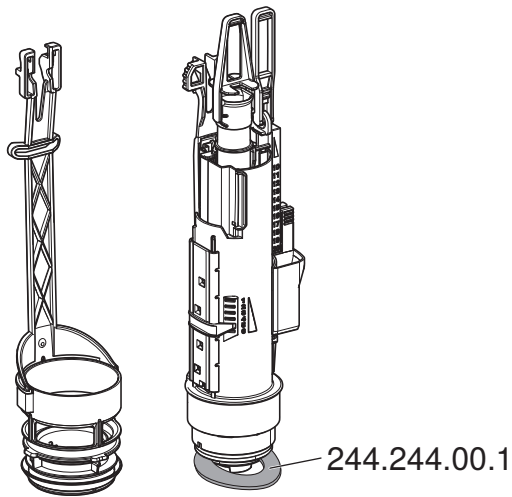




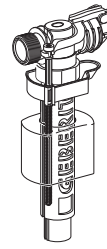
**NOTE:**  
Not applicable for US  
installations. Flush  
volume modifications shown  
are a violation of US law.  
**DO NOT ATTEMPT!**



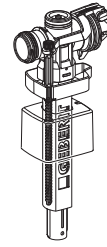
**4**



**3**



Typ 380



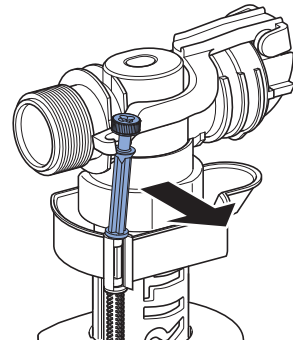
Typ 383



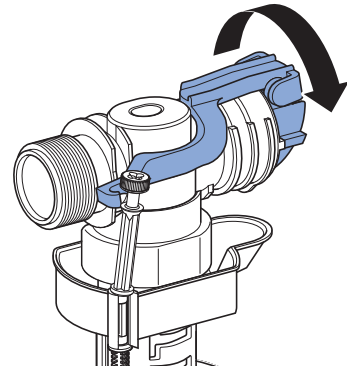
**3**

**A**

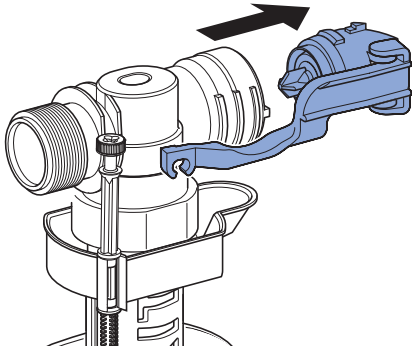
**1**



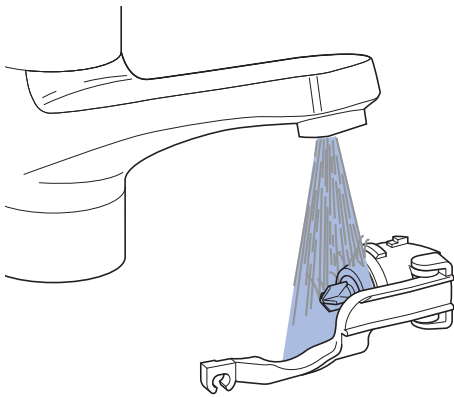
**2**



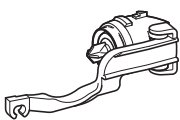
3



4



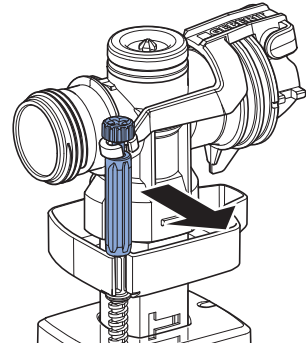
**i**



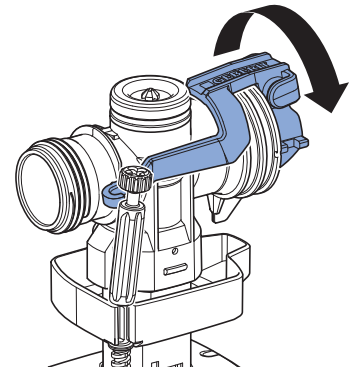
**3**

**B**

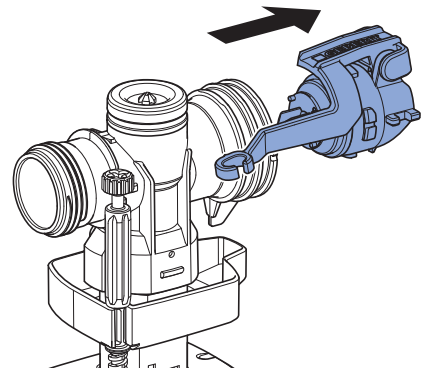
1



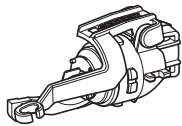
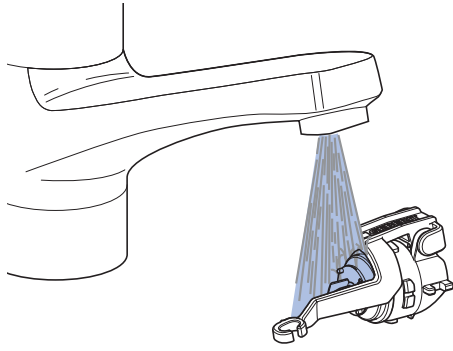
2

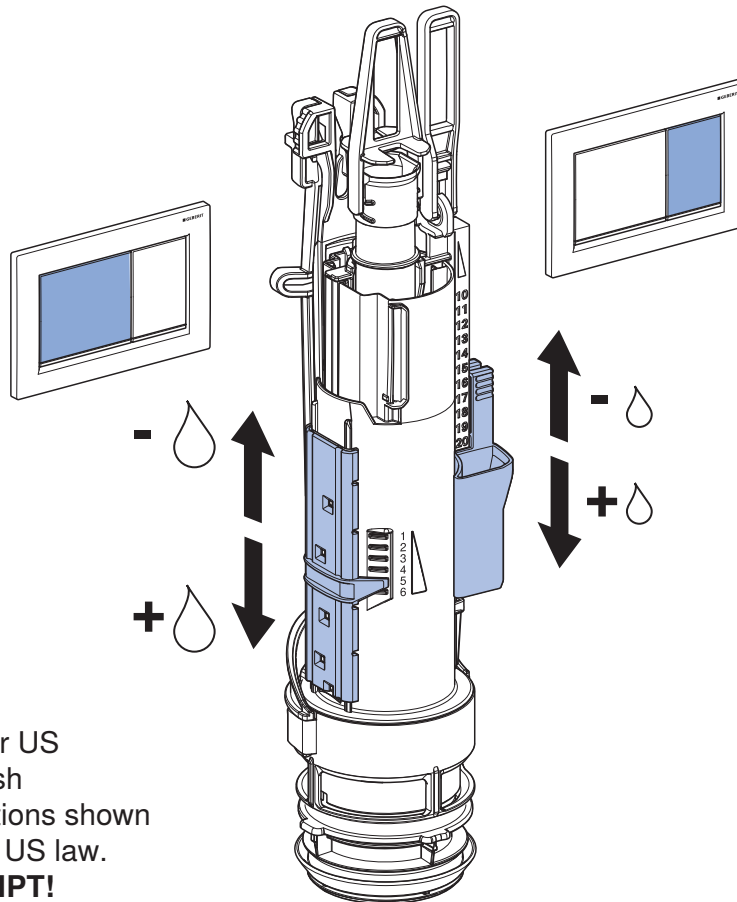


3

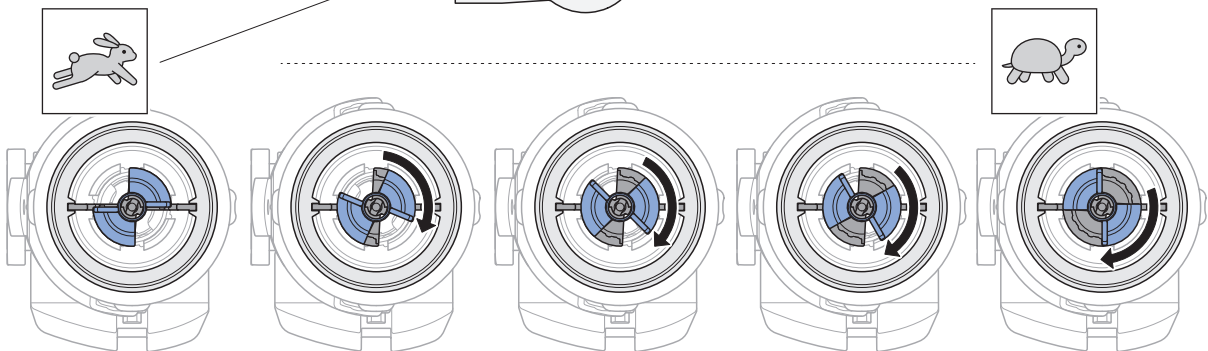
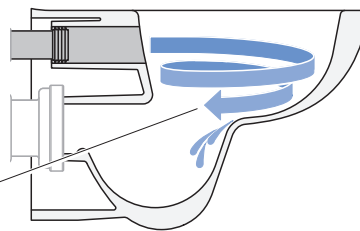


4





**NOTE:**  
Not applicable for US  
installations. Flush  
volume modifications shown  
are a violation of US law.  
**DO NOT ATTEMPT!**



Geberit International AG  
Schachenstrasse 77, CH-8645 Jona  
documentation@geberit.com  
www.geberit.com

