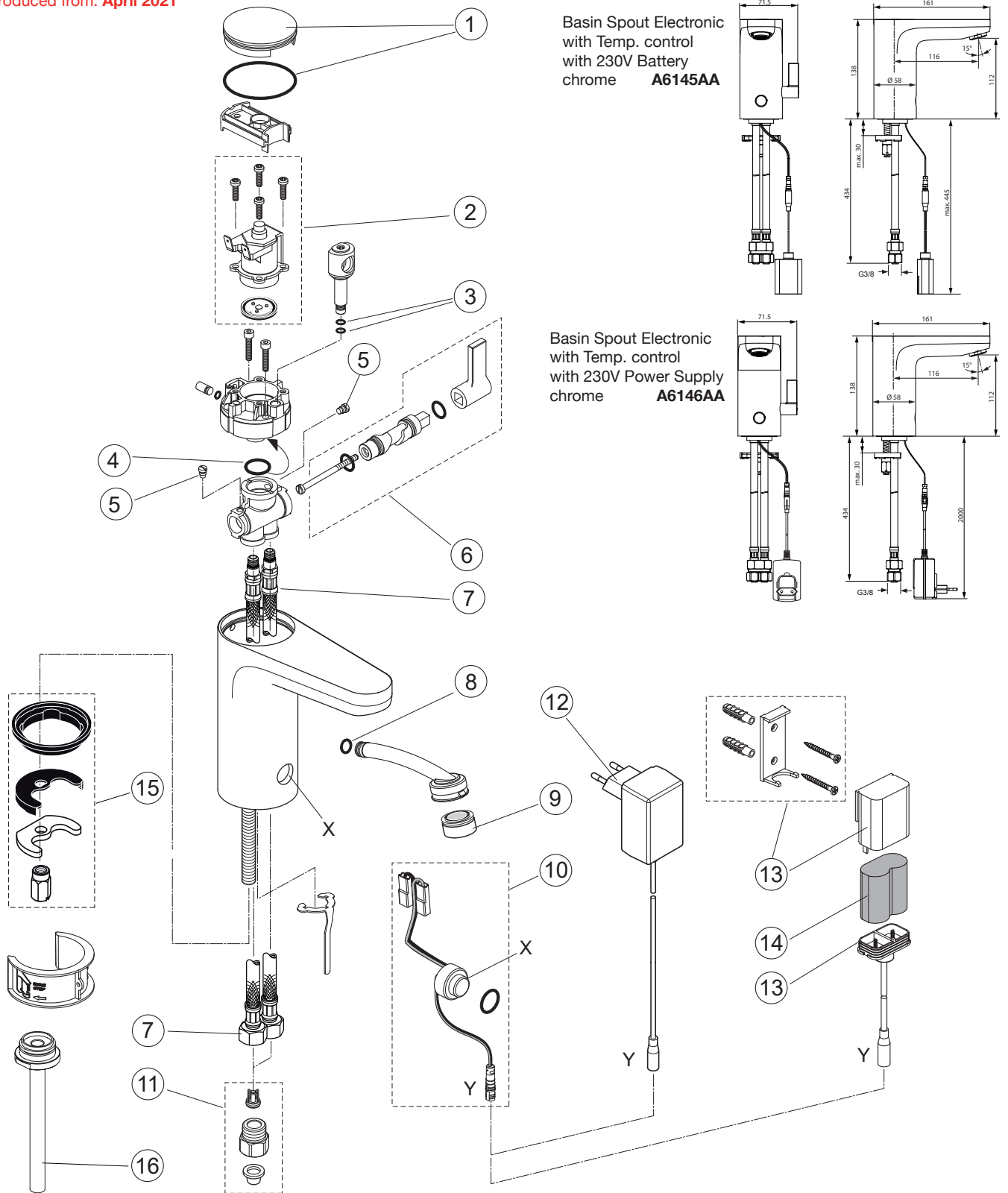


Produced from: April 2021

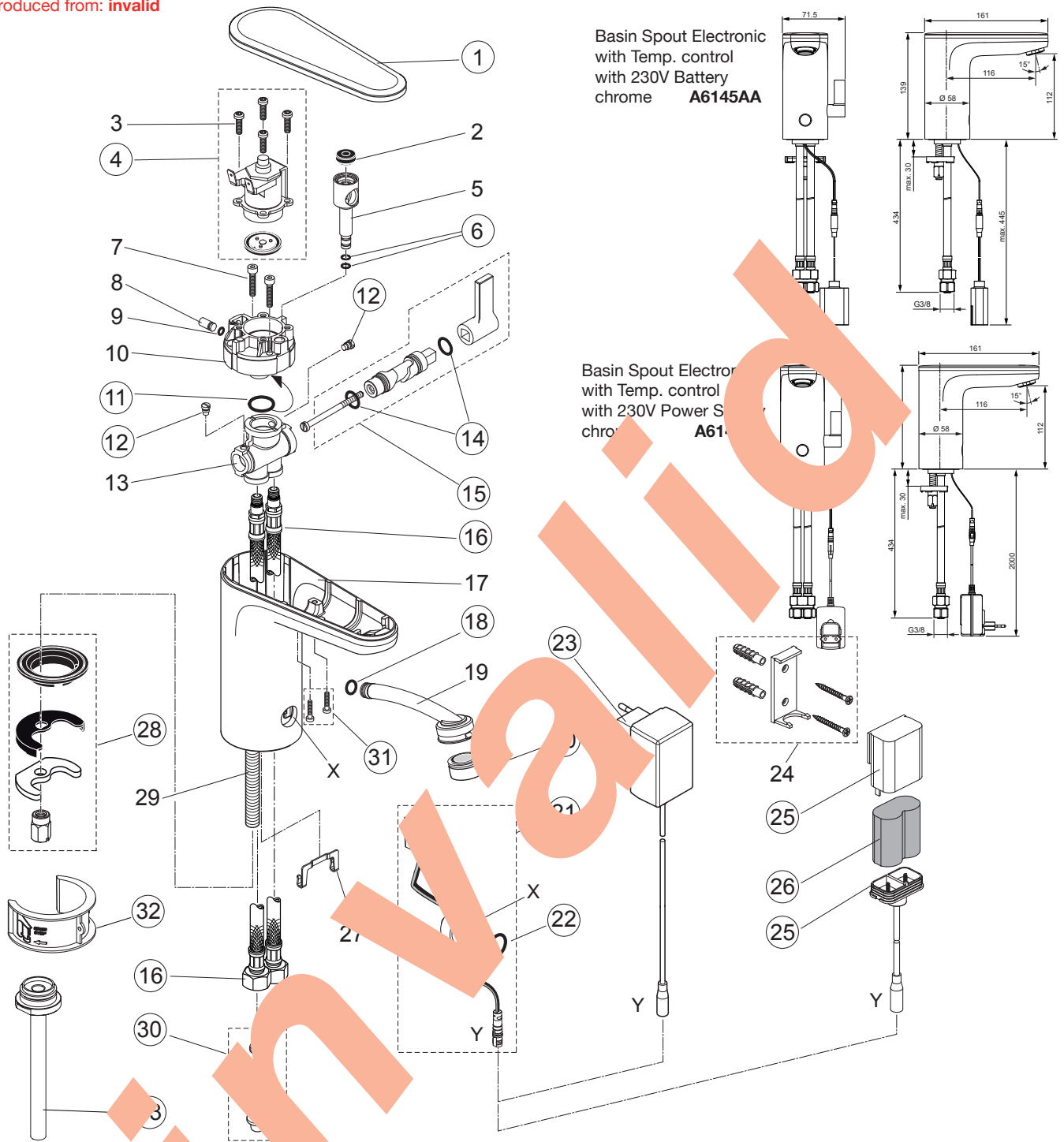


Basin Spout Electronic
with Temp. control
with 230V Battery
chrome **A6145AA**

Basin Spout Electronic
with Temp. control
with 230V Power Supply
chrome **A6146AA**

Pos.	Description	Part-Number	Qty.	Pos.	Description	Part-Number	Qty.
1	Cover + O-Ring w. Ring Logo	F 961 027 AA	1 pcs	11	Non-return valve complete	A 962 140 AA	2 pcs
2	Magnet valve	F 961 028 NU	1 Set	12	Power supply / Input 100 - 240V AC / 50 - 60Hz Output 6,5V DC / 0,92A	F 961 033 NU	1 pcs
3	O - Ring Ø 5 x 1,0	F 961 029 NU	1 Set		Extension cable 2 m	A 960 635 NU	1 pcs
4	O - Ring Ø 14 x 1,78	A 962 605 NU	2 pcs	13	Battery case	F 961 038 NU	1 pcs
5	Peg screw	A 961 183 NU	1 pcs				
6	Temperature control cpl.	A 962 219 AA	1 pcs	14	Battery 6V CR-P2	A 960 161 NU	1 pcs
7	Flex. hose M10x1-G3/8	A 860 794 NU	2 pcs	15	Fixation kit	A 960 001 NU	1 pcs
8	O - Ring Ø 8 x 1,5	A 961 118 NU	1 pcs	16	Pipe for Disinfection	F 960 965 NU	1 pcs
9	Aerator M24x1 + Key	F 961 082 AA	1 pcs				
10	Sensor complete	F 961 031 NU	1 Set				

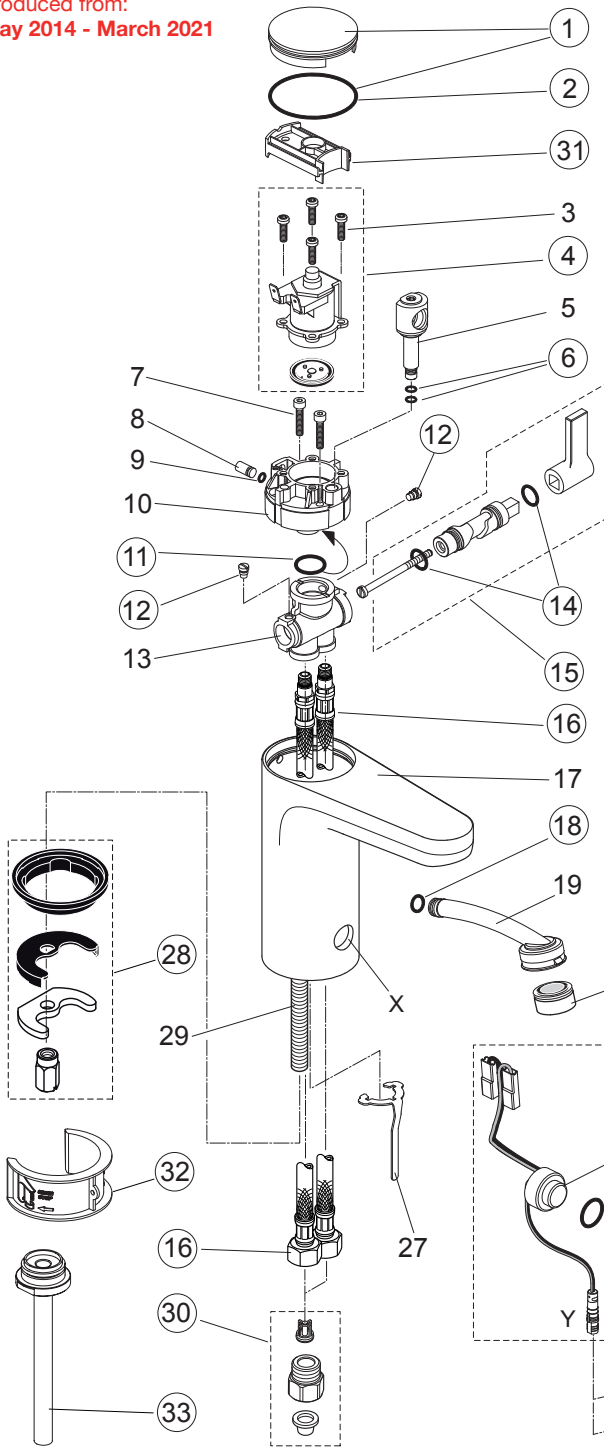
Produced from: invalid



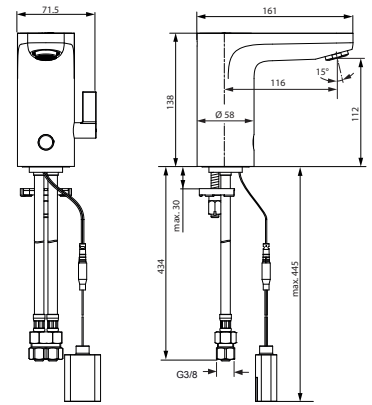
Pos.	Description	Part Number	Qty.	Pos.	Description	Part Number	Qty.
1	Cover w. Logo ISI	F 961 027 AA*	1 pcs	19	Inlet		
2	Sealing rubber			20	Aerator M24x1 + Key	F 961 082 AA	1 pcs
3	Screw Ejot PT 40x14-DS			21	Sensor complete + Pos.17	F 961 031 NU	1 Set
4	Magnet valve + Pos.3	F 961 028 NU	1 Set	22	O - Ring Ø 15,6 x 1,78	A 961 182 NU	2 pcs
5	Pipe adapter			23	Power supply / Input 100 - 240V AC / 50 - 60Hz		
6	O - Ring Ø 5 x 1,0 + Pos.9	F 961 029 NU	1 Set		Output 6,5V DC / 0,92A	F 961 033 NU	1 pcs
7	Cylindrical screw M4x20 DIN912				Extension cable 2 m	A 960 635 NU	1 pcs
8	Plug			24	Battery case holder cpl		
9	O - Ring Ø 4 x 1,2 (included in Pos.6)			25	Battery case	F 961 038 NU	1 pcs
10	Body (magnet valve)			26	Battery 6V CR-P2	A 960 161 NU	1pcs
11	O - Ring Ø 14 x 1,78	A 962 605 NU	2 pcs	27	Clamp		
12	Peg screw	A 961 183 NU	1 pcs	28	Fixation kit	A 960 001 NU	1 pcs
13	Body (Pre-mixer)			29	Fixation-Bold M8 x 63		
14	O - Ring 11 x 1,5	A 962 218 NU	2 pcs	30	Non-return valve complete	A 962 140 AA	2 pcs
15	Temperature control cpl.	A 962 219 AA	1 pcs	31	Screw M3 x 14 DIN 7984	A 860 730 NU*	1 Set
16	Flex. hose M10x1-G3/8	A 860 794 NU	2 pcs	32	Sensor Cover	F 961 083 NU	1 pcs
17	Body (Electr. spout)			33	Pipe for Desinfection	F 960 965 NU	1 pcs
18	O - Ring Ø 8 x 1,5	A 961 118 NU	1 pcs				

*Universal set (not all parts needed)

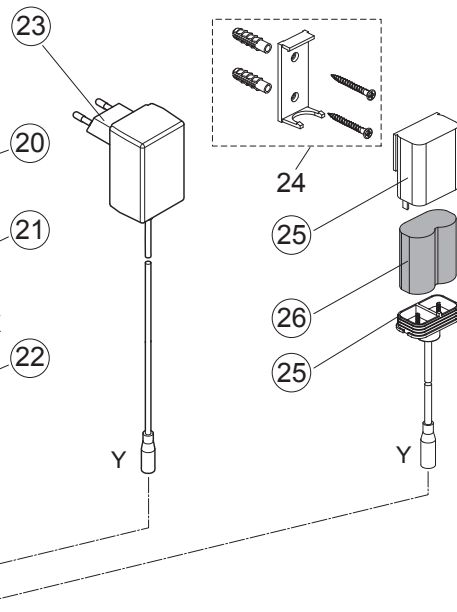
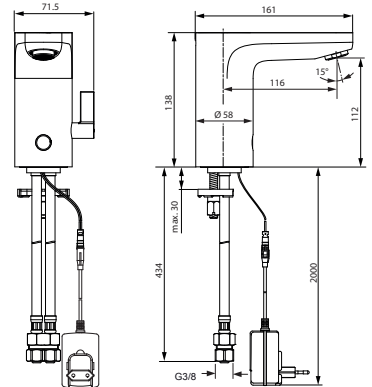
Produced from:
May 2014 - March 2021



Basin Spout Electronic
with Temp. control
with 230V Battery
chrome **A6145AA**



Basin Spout Electronic
with Temp. control
with 230V Power Supply
chrome **A6146AA**



Pos.	Description	Part-Number	Qty.	Pos.	Description	Part-Number	Qty.
1	Cover w. O-Ring	F 961 027 AA	1 pcs	19	Inlet		
2	O-Ring Ø 50,52 x 1,78	A 962 639 NU	1 pcs	20	Aerator M24x1 + Key	F 961 082 AA	1 pcs
3	Screw Ejot PT 40x14-DS			21	Sensor complete + Pos.17	F 961 031 NU	1 Set
4	Magnet valve + Pos.3	F 961 028 NU	1 Set	22	O - Ring Ø 15,6 x 1,78	A 961 182 NU	2 pcs
5	Pipe adapter			23	Power supply / Input 100 - 240V AC / 50 - 60Hz		
6	O - Ring Ø 5 x 1,0 + Pos.9	F 961 029 NU	1 Set		Output 6,5V DC / 0,92A	F 961 033 NU	1 pcs
7	Cylindrical screw M4x20 DIN912				Extension cable 2 m	A 960 635 NU	1 pcs
8	Plug			24	Battery case holder cpl		
9	O - Ring Ø 4 x 1,2 (included in Pos.6)			25	Battery case	F 961 038 NU	1 pcs
10	Body (magnet valve)			26	Battery 6V CR-P2	A 960 161 NU	1pcs
11	O - Ring Ø 14 x 1,78	A 962 605 NU	2 pcs	27	Clamp		
12	Peg screw	A 961 183 NU	1 pcs	28	Fixation kit	A 960 001 NU	1 pcs
13	Body (Pre-mixer)			29	Fixation-Bold M8 x 63		
14	O - Ring 11 x 1,5	A 962 218 NU	2 pcs	30	Non-return valve complete	A 962 140 AA	2 pcs
15	Temperature control cpl.	A 962 219 AA	1 pcs	31	Holder	F 961 084 NU	1 psc
16	Flex. hose M10x1-G3/8	A 860 794 NU	2 pcs	32	Sensor Cover	F 961 083 NU	1 pcs
17	Body (Electr. spout)			33	Pipe for Desinfection	F 960 965 NU	1 pcs
18	O - Ring Ø 8 x 1,5	A 961 118 NU	1 pcs				