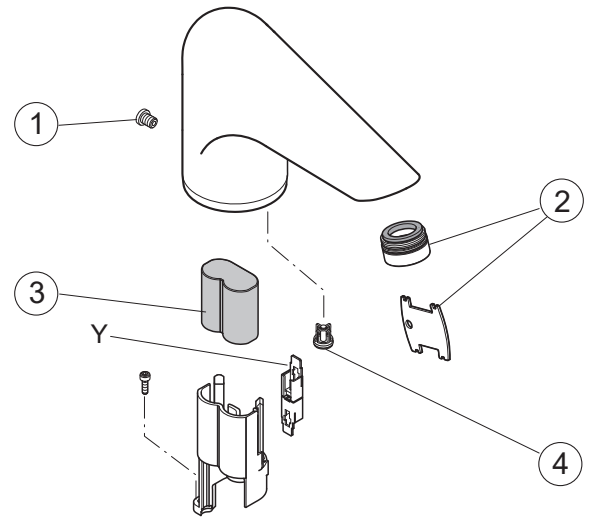
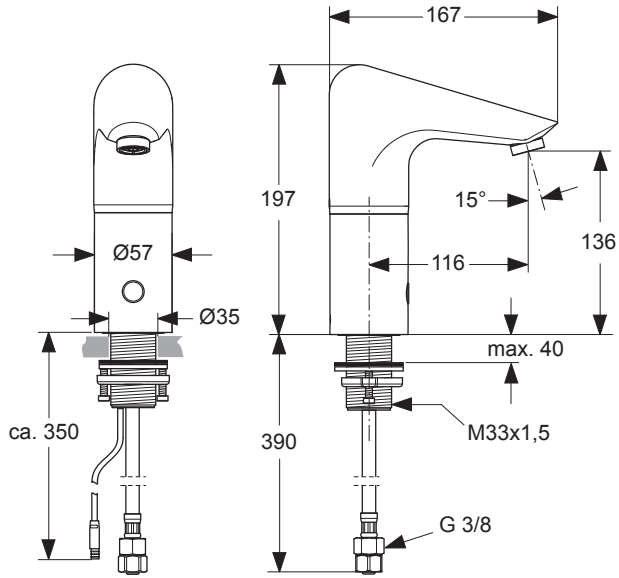
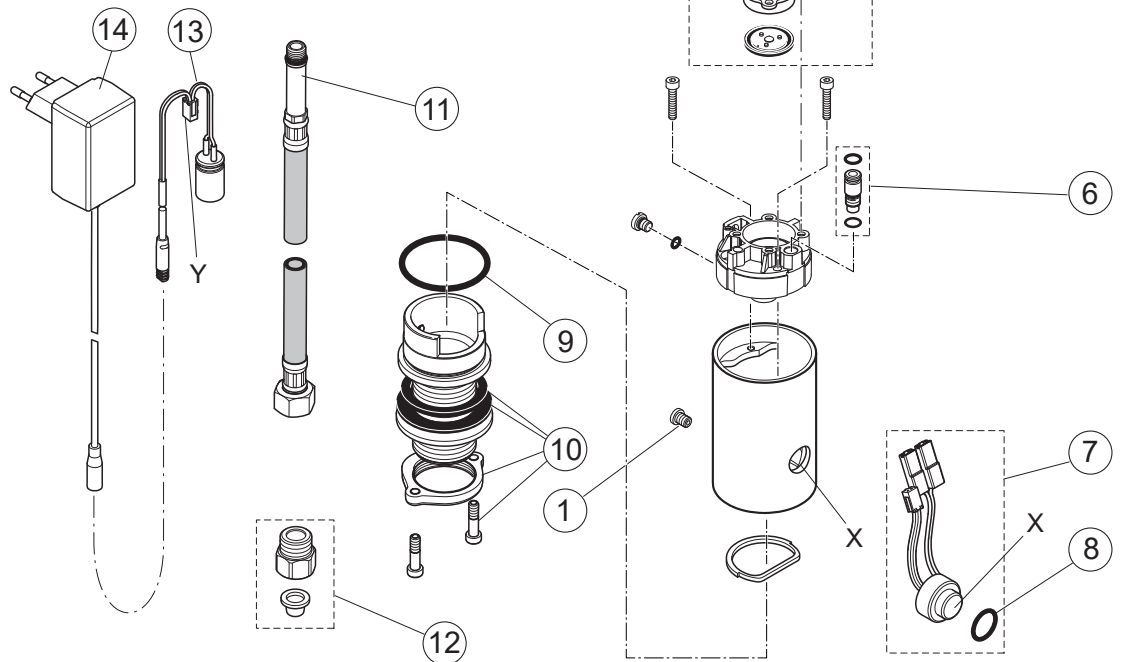


Produced from: **May 2021**

Basin Spout Electronic
with Battery
chrome **A4151AA**



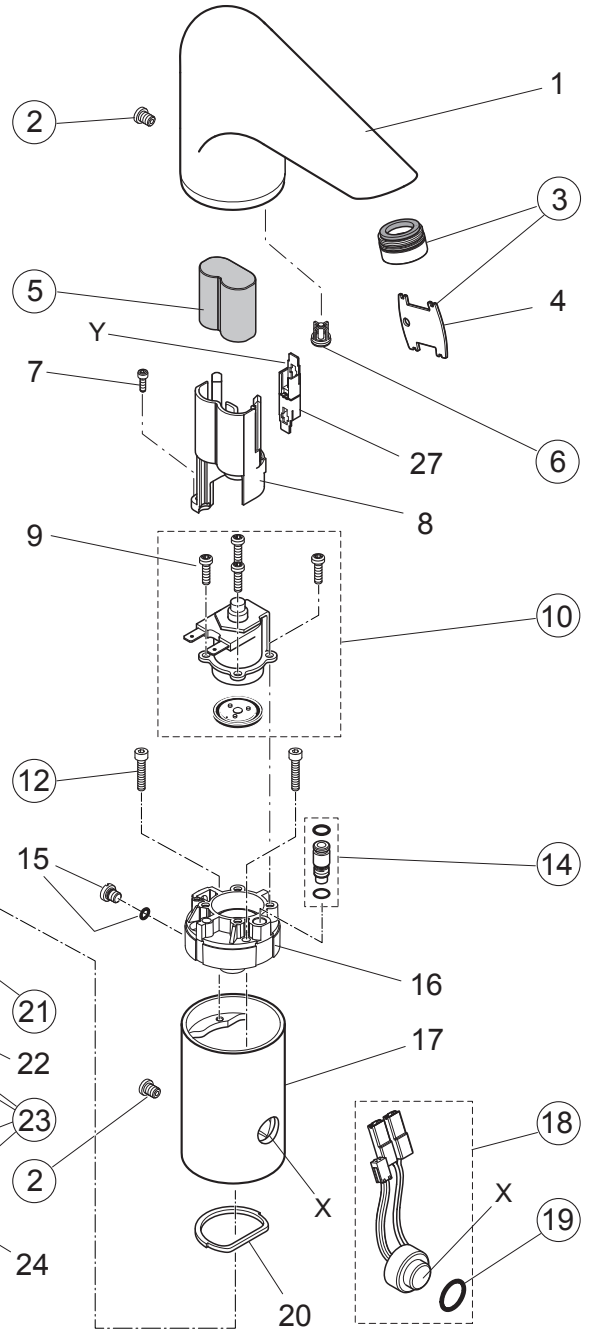
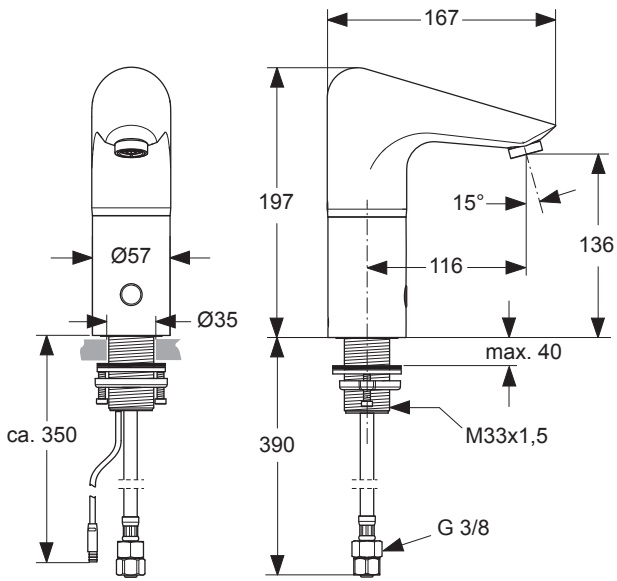
Basin Spout Electronic
with 230V Power Supply
chrome **A4153AA**



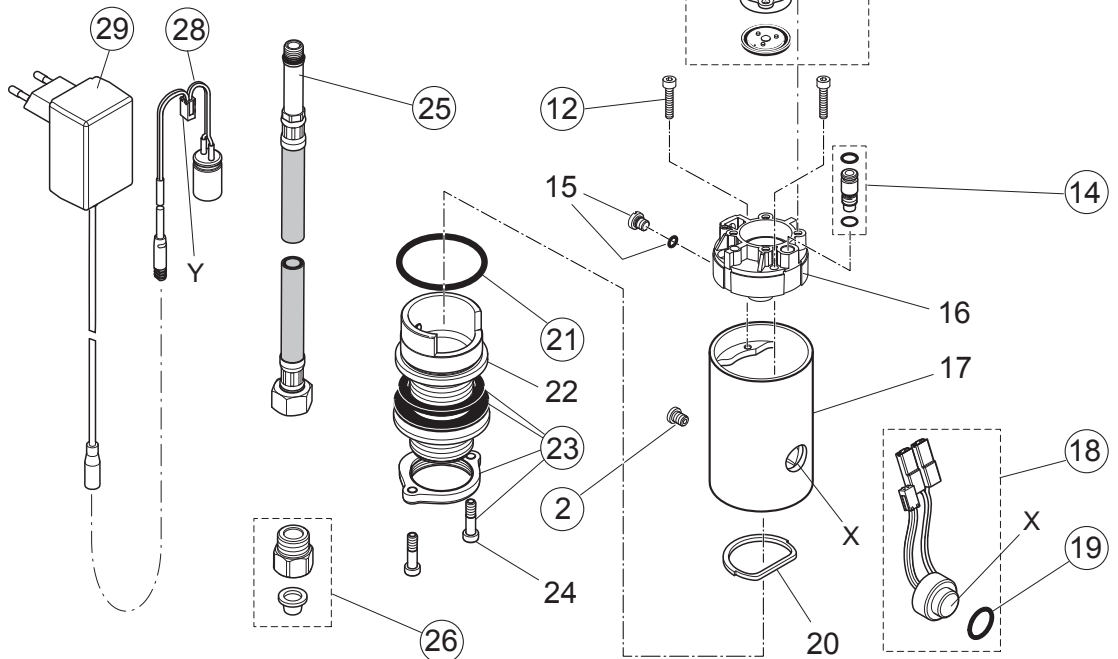
Pos.	Description	Part-Number	Qty.	Pos.	Description	Part-Number	Qty.
1	Set screw M6	A 960 201 AA	1 pcs	11	Flex. hose M10x1-G3/8	A 963 600 NU	1 pcs
2	Aerator M24x1 complete	B 960 457 AA	1 pcs	12	Non-return valve complete	A 962 215 AA	1 pcs
3	Battery 6V CR-P2	A 960 161 NU	1pcs	13	Cable plug (f. A4153AA)	A 962 216 NU	1 pcs
4	Non-return valve	A 962 099 NU	1 pcs	14	Power supply / Input 100 - 240V AC / 50 - 60Hz Output 6,5V DC / 1A	A 962 217 NU	1 pcs
5	Magnet valve	A 960 151 NU	1 pcs				
6	Nipple M8x1 complete	A 962 214 NU	1 pcs				
7	Sensor complete + Pos.8	A 861 344 NU	1 pcs				
8	O - Ring Ø 15,6 x 1,78	A 861 344 NU	2 pcs				
9	O - Ring Ø 36 x 2	A 961 335 NU	1 pcs				
10	Fixation-Set Universal	A 960 486 NU	1 Set				

Produced from: Oct. 2017 - May 2021

Basin Spout Electronic with Battery chrome **A4151AA**



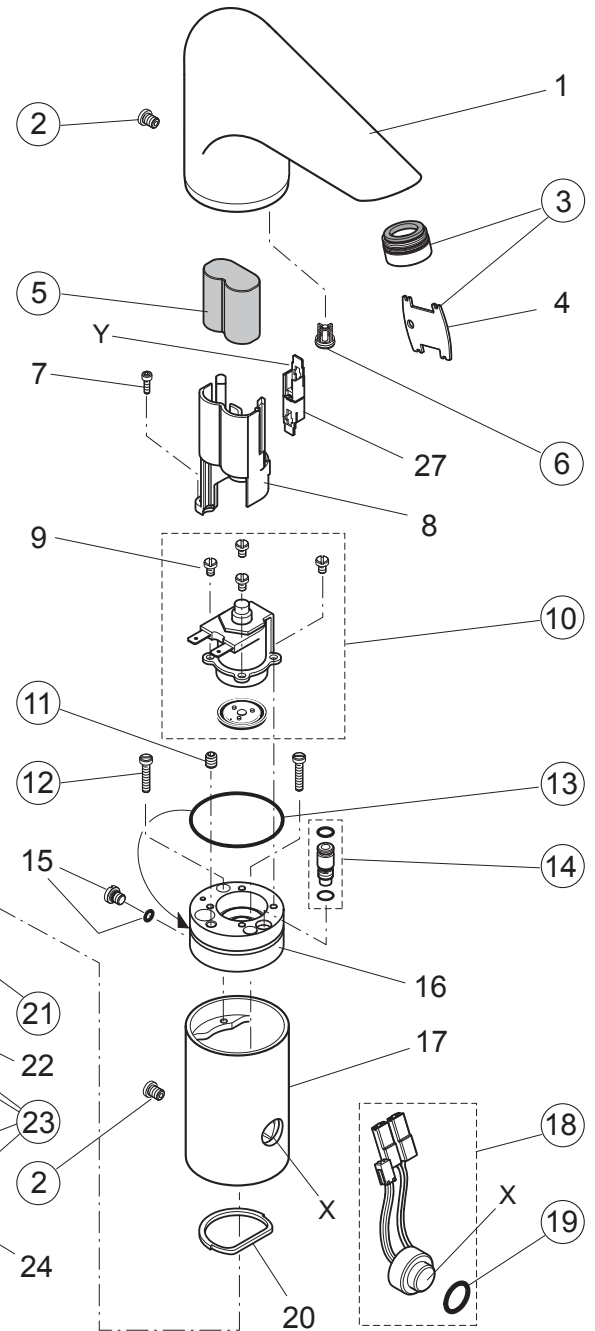
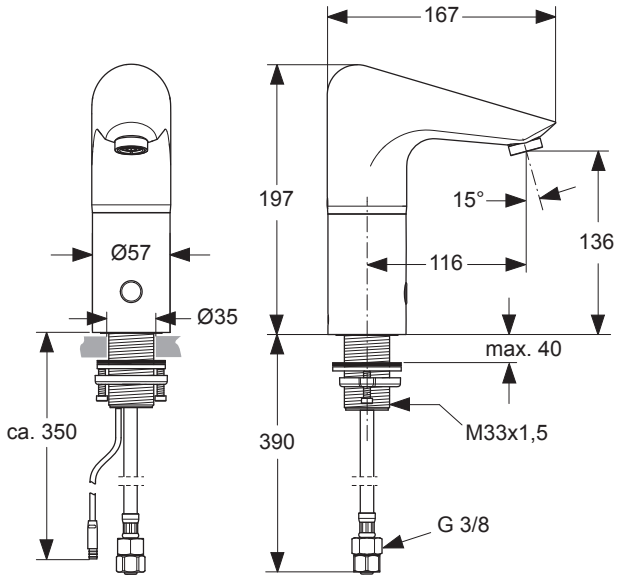
Basin Spout Electronic with 230V Power Supply chrome **A4153AA**



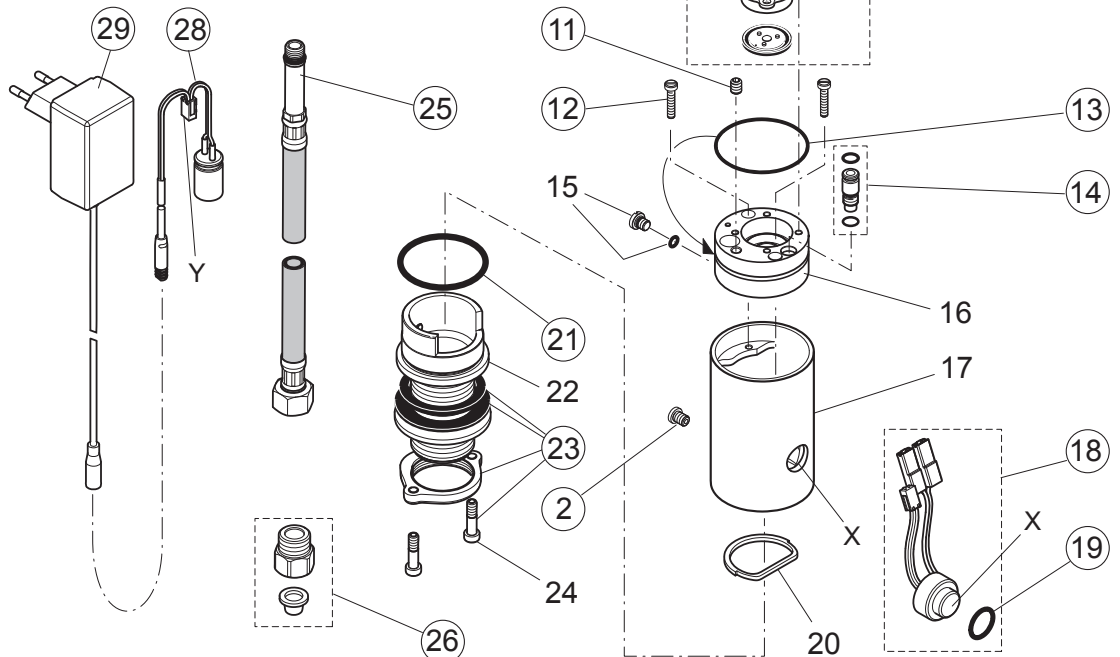
Pos.	Description	Part-Number	Qty.	Pos.	Description	Part-Number	Qty.
1	Body (Electr. spout)			18	Sensor complete + Pos.19	A 861 344 NU	1 pcs
2	Set screw M6	A 960 201 AA	1 pcs	19	O - Ring Ø 15,6 x 1,78	A 861 344 NU	2 pcs
3	Aerator M24x1 complete	B 960 457 AA	1 pcs	20	Sensor holder (tin)		
4	Aerator key			21	O - Ring Ø 36 x 2	A 961 335 NU	1 pcs
5	Battery 6V CR-P2	A 960 161 NU	1 pcs	22	Shaft M33 x 1,5		
6	Non-return valve	A 962 099 NU	1 pcs	23	Fixation-Set Universal	A 960 486 NU	1 Set
7	Cylindrical screw M3x10 DIN912			24	Cylindrical Screw M5 x 20 DIN7985		
8	Battery holder			25	Flex. hose M10x1-G3/8	A 963 600 NU	1 pcs
9	Cylindrical screw M4x6	A 963 103 NU	2 pcs	26	Non-return valve complete	A 962 215 AA	1 pcs
10	Magnet valve + Pos.9	A 960 151 NU	1 pcs	27	Adapter (for A4153AA only)		
11	Magnet valve			28	Cable plug (f. A4153AA)	A 962 216 NU	1 pcs
12	Cylindrical screw M4x20	A 963 544 NU	4 pcs	29	Power supply / Input 100 - 240V AC / 50 - 60Hz Output 6,5V DC / 1A	A 962 217 NU	1 pcs
14	Nipple M8x1 complete	A 962 214 NU	1 pcs				
15	Set screw w. O-Ring Ø5x1						
16	Body (magnet valve)						
17	Extension spout						

Produced from: Febr. 2008 - Sep. 2017

Basin Spout Electronic with Battery chrome **A4151AA**



Basin Spout Electronic with 230V Power Supply chrome **A4153AA**



Pos.	Description	Part-Number	Qty.	Pos.	Description	Part-Number	Qty.
1	Body (Electr. spout)			16	Body (magnet valve)		
2	Set screw M6	A 960 201 AA	1 pcs	17	Extension spout		
3	Aerator M24x1 complete	B 960 457 AA	1 pcs	18	Sensor complete + Pos.19	A 861 344 NU	1 pcs
4	Aerator key			19	O - Ring Ø 15,6 x 1,78	A 861 344 NU	2 pcs
5	Battery 6V CR-P2	A 960 161 NU	1 pcs	20	Sensor holder (tin)		
6	Non-return valve	A 962 099 NU	1 pcs	21	O - Ring Ø 36 x 2	A 961 335 NU	1 pcs
7	Cylindrical screw M3x10 DIN912			22	Shaft M33 x 1,5		
8	Battery holder			23	Fixation-Set Universal	A 960 486 NU	1 Set
9	Cylindrical screw M4x6	A 963 103 NU	2 pcs	24	Cylindrical Screw M5 x 20 DIN7985		
10	Magnet valve + Pos.9	A 960 151 NU	1 pcs	25	Flex. hose M10x1-G3/8	A 963 600 NU	1 pcs
11	Thread pin M6x8 DIN913	A 963 752 NU	2 pcs	26	Non-return valve complete	A 962 215 AA	1 pcs
12	Cylindrical screw M4x20	A 963 544 NU	4 pcs	27	Adapter (for A4153AA only)		
13	O - Ring Ø 46 x 1	A 962 213 NU	1 pcs	28	Cable plug (f. A4153AA)	A 962 216 NU	1 pcs
14	Nipple M8x1 complete	A 962 214 NU	1 pcs	29	Power supply / Input 100 - 240V AC / 50 - 60Hz		
15	Set screw w. O-Ring Ø5x1				Output 6,5V DC / 1A	A 962 217 NU	1 pcs