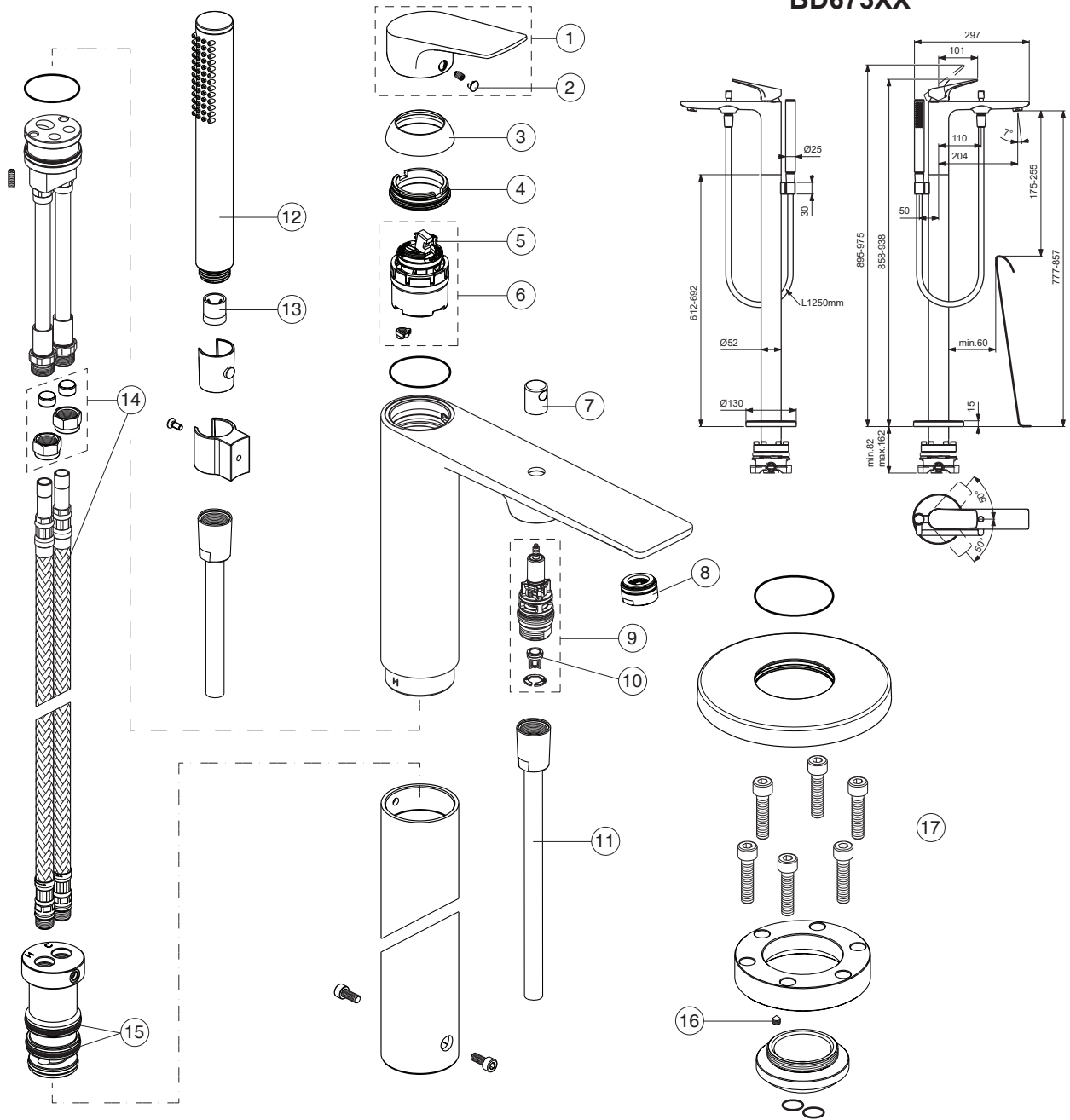




LDV

Ideal Standard



**For XX=Coverage-Designate:**

AA=chrome, GN=silver storm  
A2=brushed gold, A5=magnetic grey

**For Instance:**

B961883AA for chrome

Pos.	Signify	Spare parts-Nr.	Quantity	Pos.	Signify	Spare parts-Nr.	Quantity
1	Lever-compl.	B961942XX	1 Set	15	O-Ring Ø29.82x2.62	N960006NU	5 Pcs.
2	Cap decorative	B960473XX	1 Pcs.	16	Screw M5x6	A962041NU*	1 Set
3	Cover cap M38x1.5	B961884XX	1 Pcs.	17	Screw M8x35	A960242NU	1 Pcs.
4	Screw M4x1.5 / M38x1.5	B961374NU	1 Set				
5	Hot limit stop	A861181NU	1 Pcs.				
6	Cartridge Ø38mm	B961491NU*	1 Set				
7	Pull knob	B960486XX	1 Pcs.				
8	Nozzle	A961625XX	1 Pcs.				
9	Diverter automatic	B960167XX	1 Set				
10	Rv-patrone	A960944NU	2 Pcs.				
11	Sh.hose L1250mm-compl.	BE125XX	1 Pcs.				
12	Handshower, 8 l/min	BC774XX	1 Pcs.				
13	Flow limit, 8 l/min	B961093NU	1 Pcs.				
14	Fl.hose M12x1-Ø10x676	A861140NU	1 Set				

\*Universal set (not all parts needed)