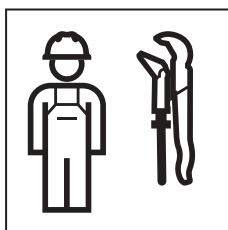


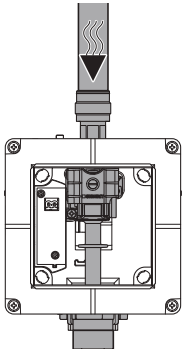
INSTALLATION MANUAL

MONTAGEANLEITUNG
INSTRUCTIONS DE MONTAGE
ISTRUZIONI PER IL MONTAGGIO

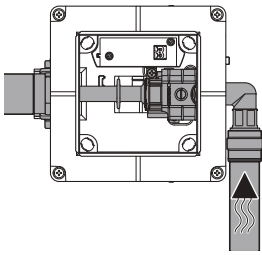


996.944.00.0(02)





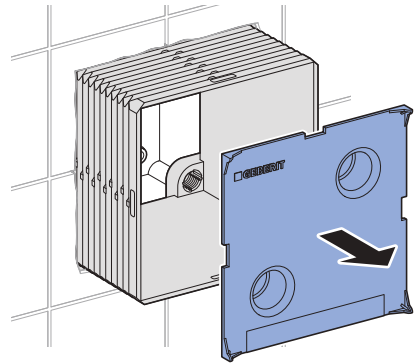
→ **A**  2



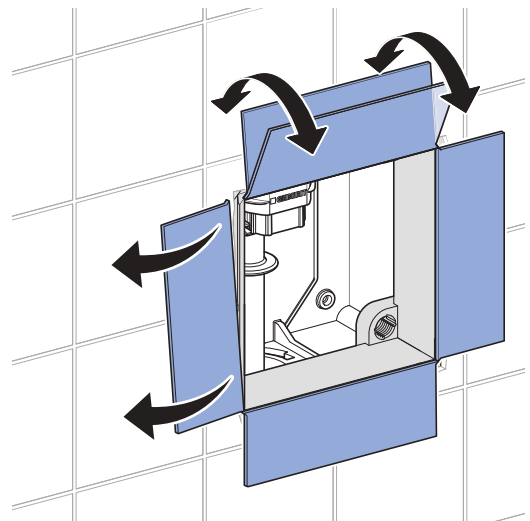
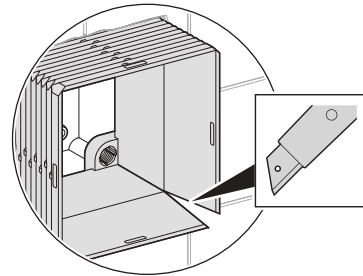
→ **B**  7

A

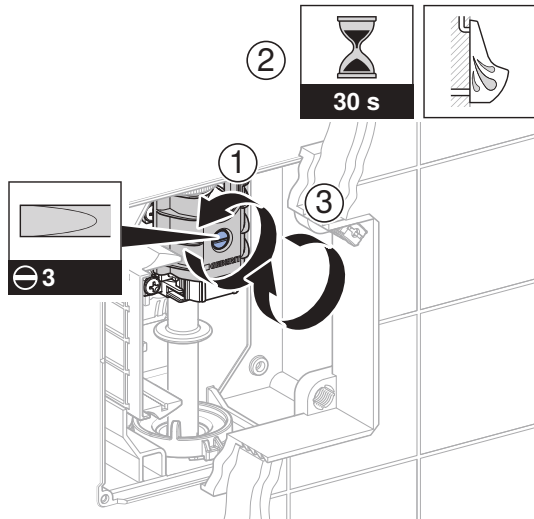
1



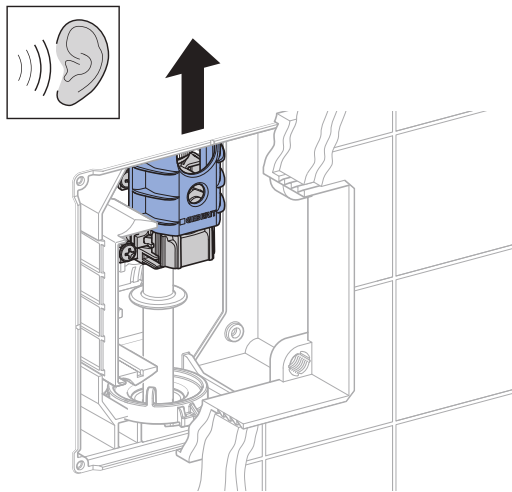
2



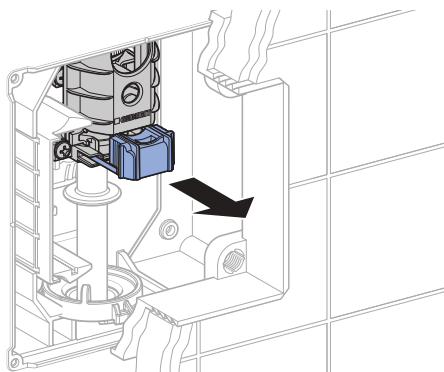
3



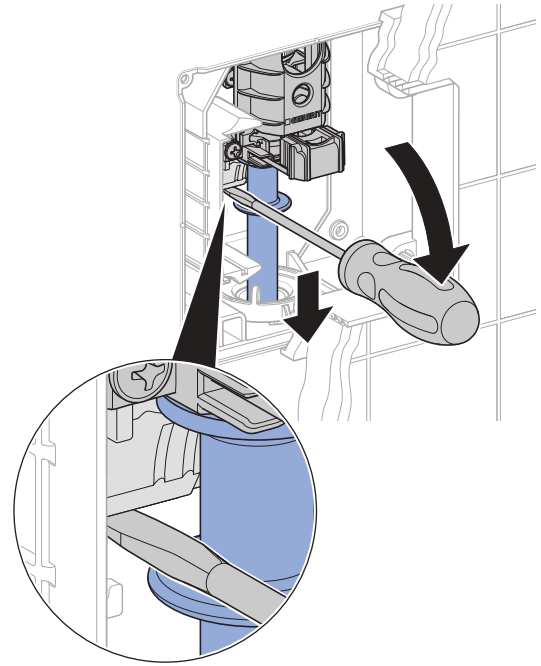
4



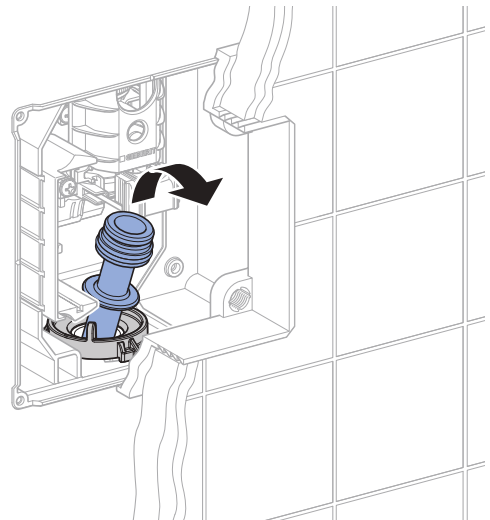
5



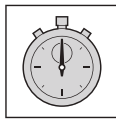
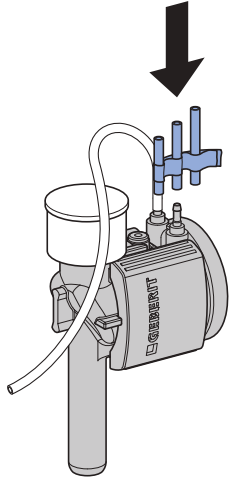
6



7



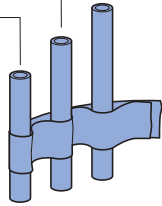
8



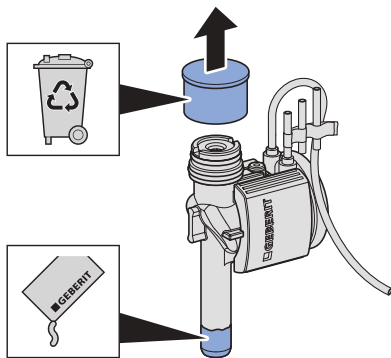
00:00:12

00:00:09

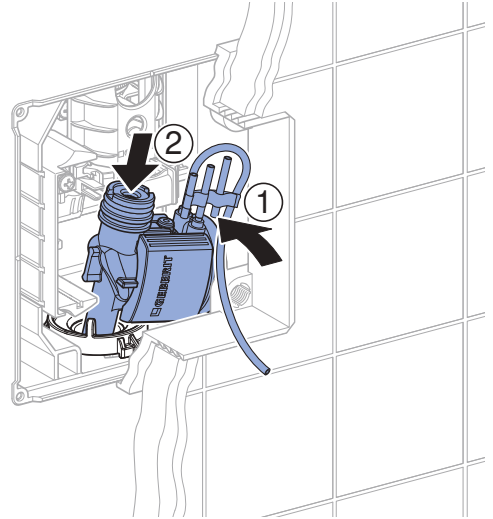
00:00:04



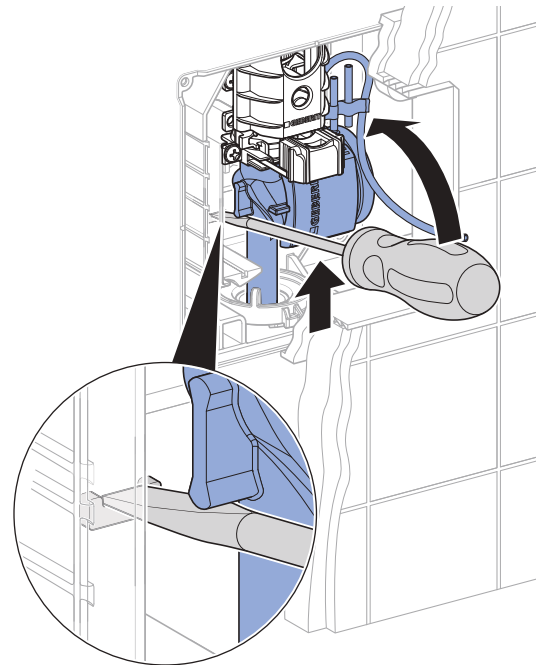
9



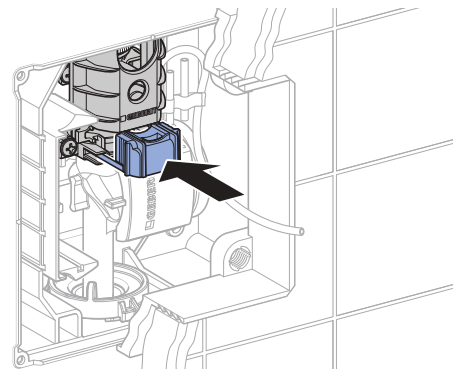
10



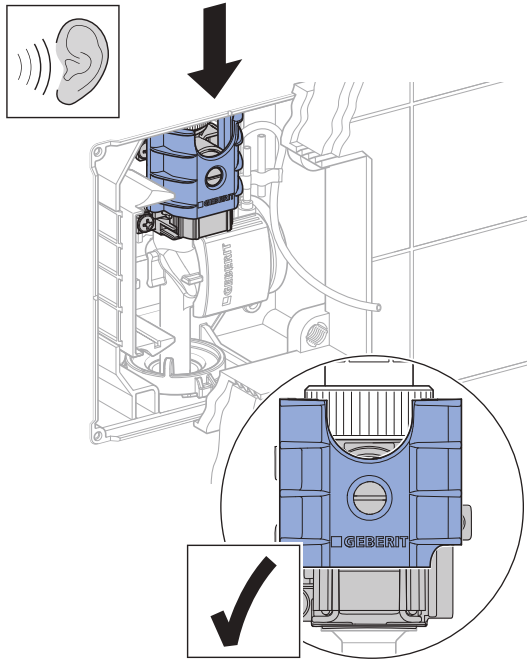
11



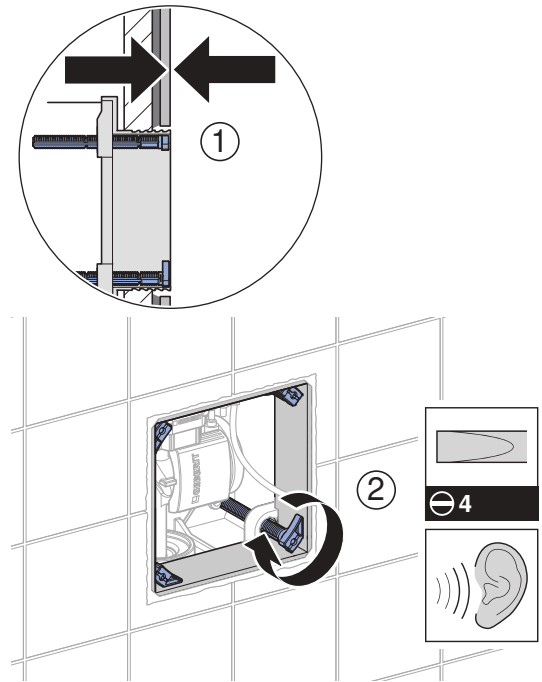
12



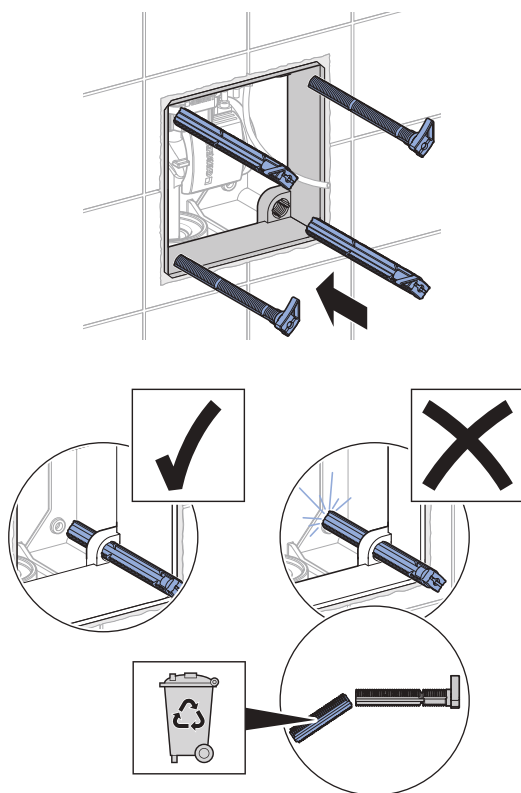
13



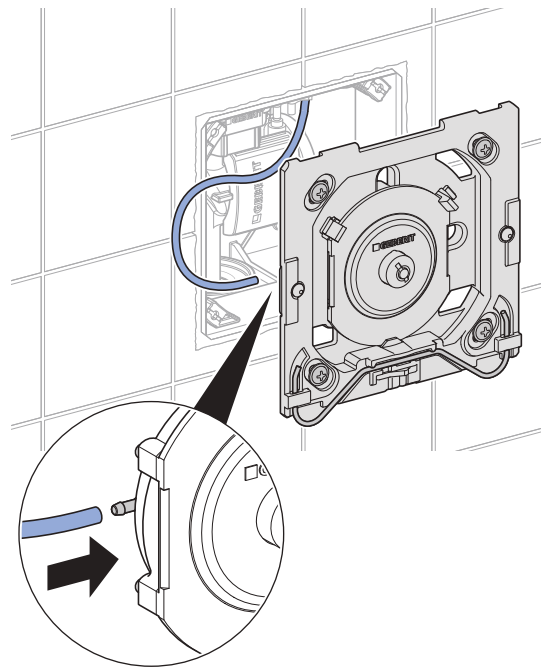
15



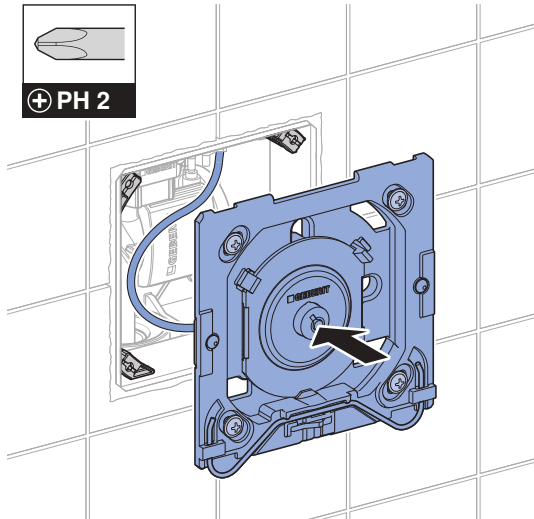
14



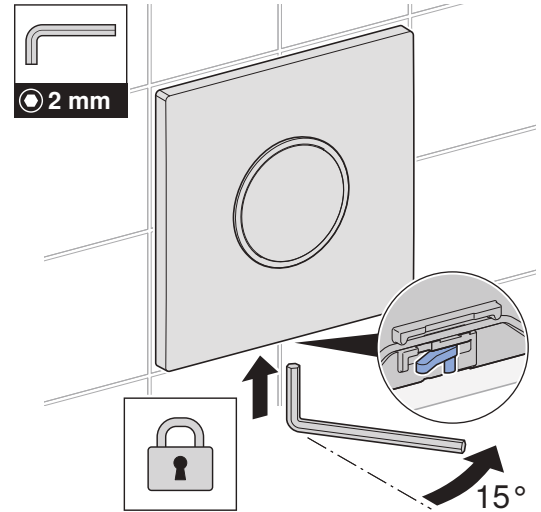
16



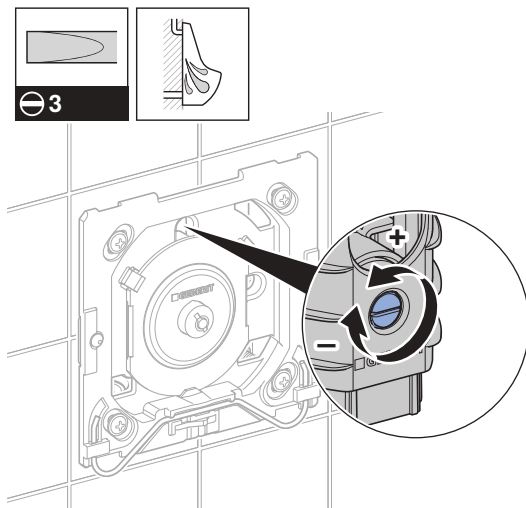
17



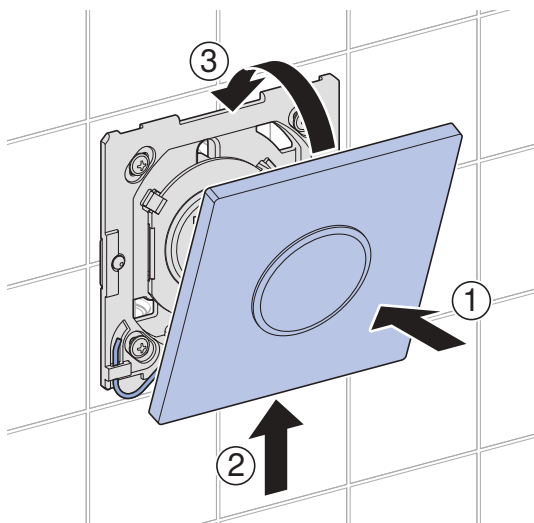
20



18

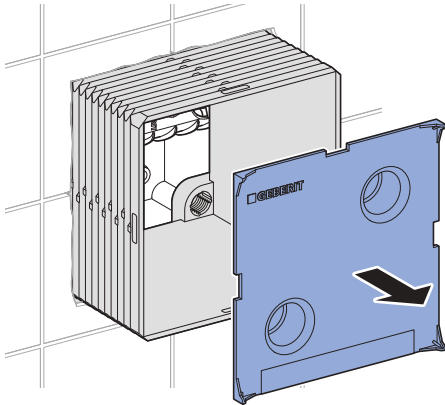


19

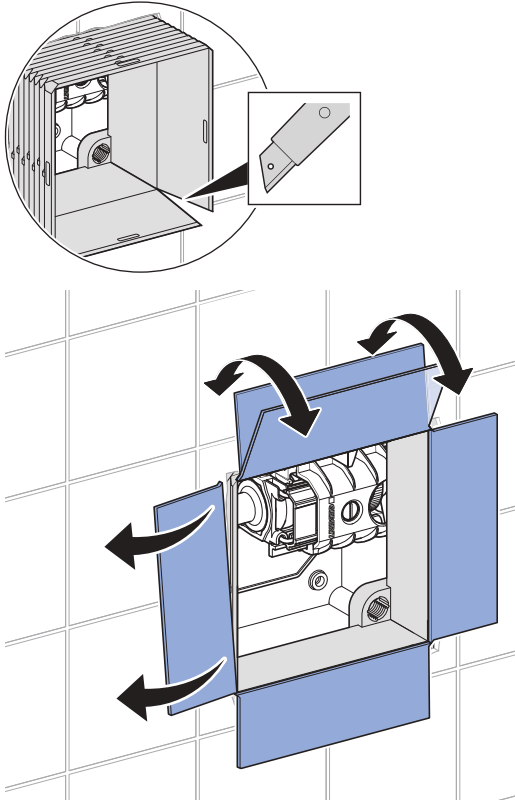


B

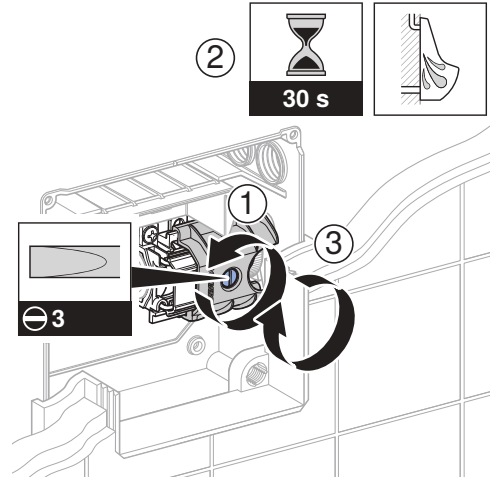
1



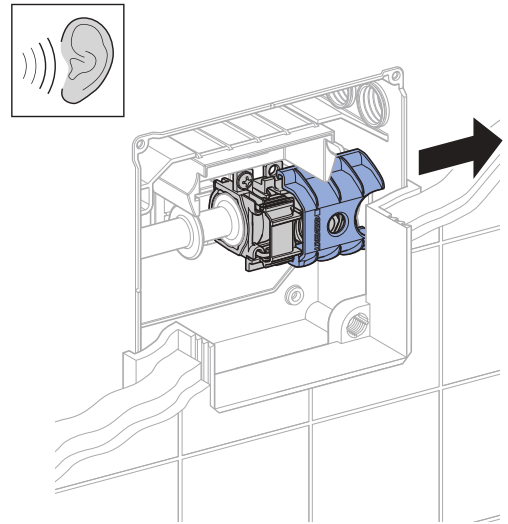
2



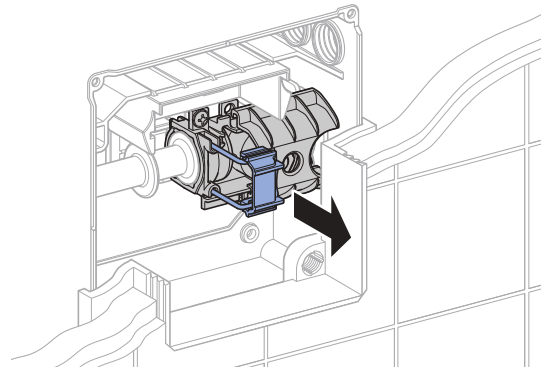
3



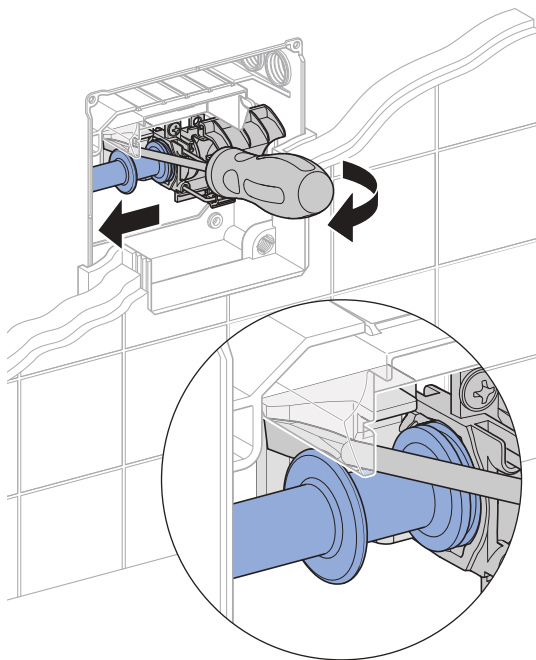
4



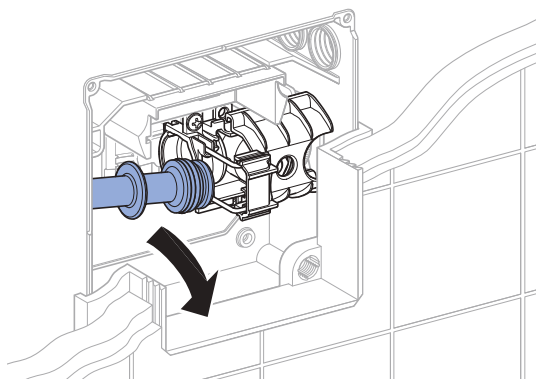
5



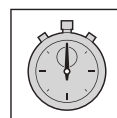
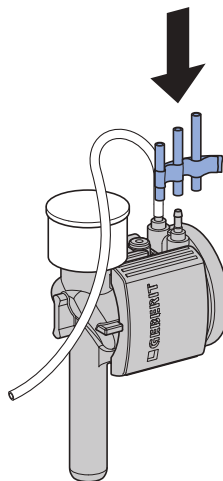
6



7



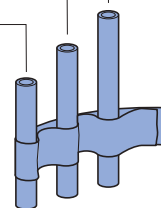
8



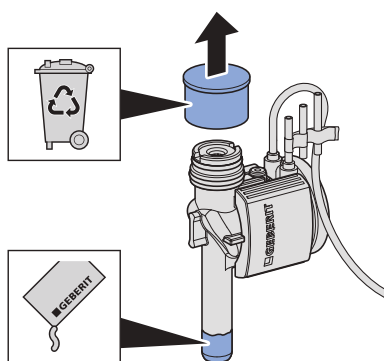
00:00:12

00:00:09

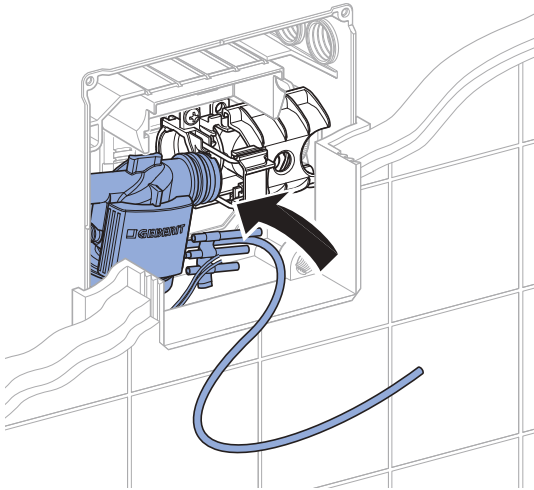
00:00:04



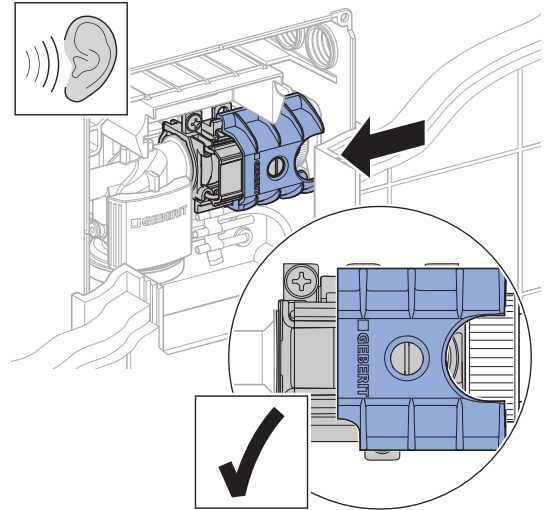
9



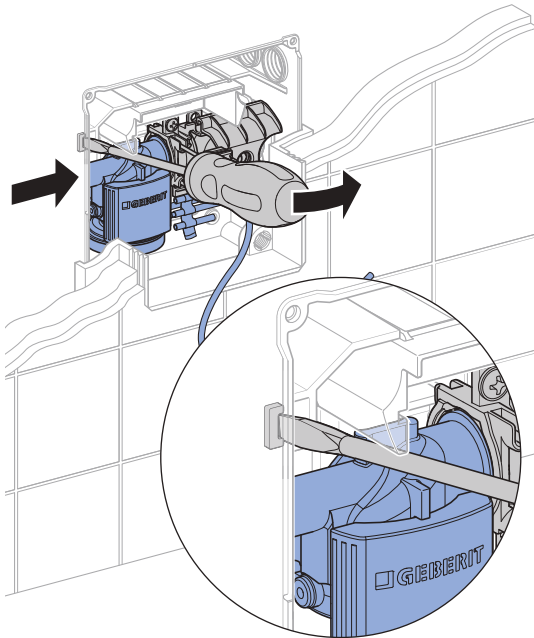
10



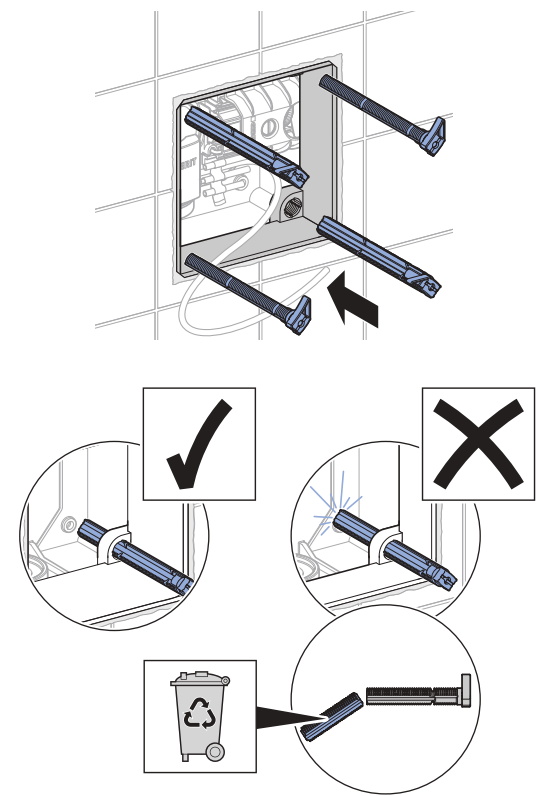
13



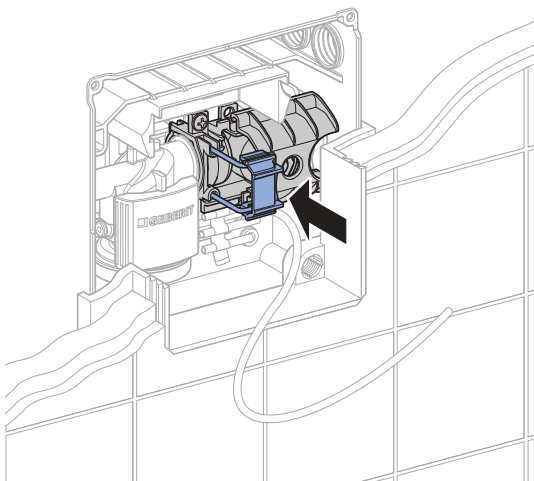
11



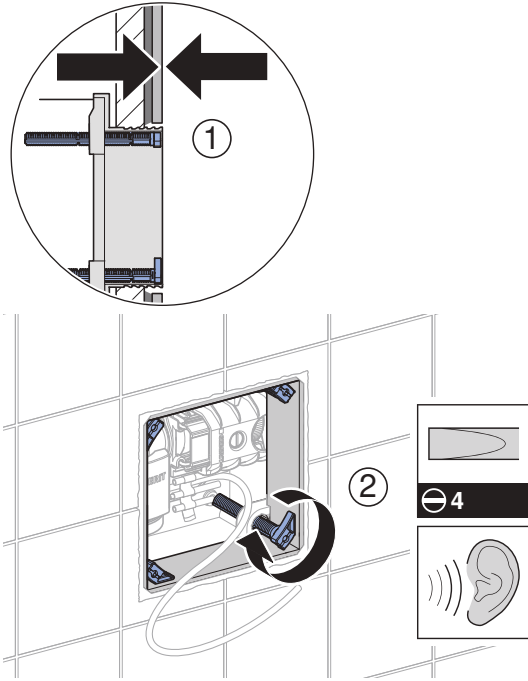
14



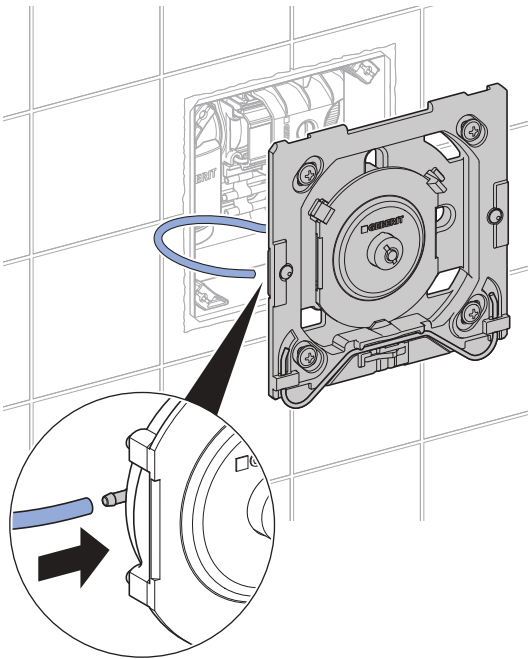
12



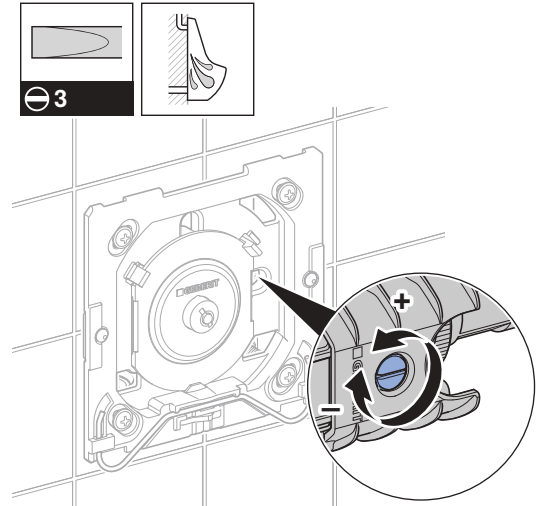
15



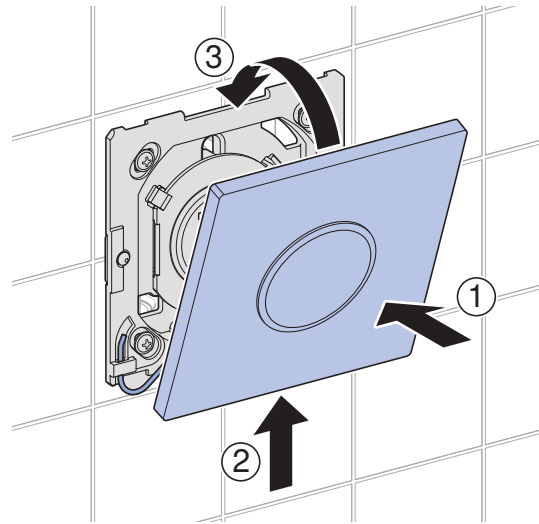
16



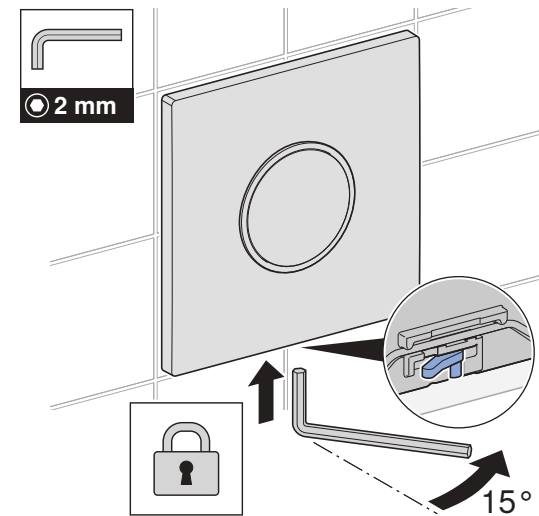
17



18

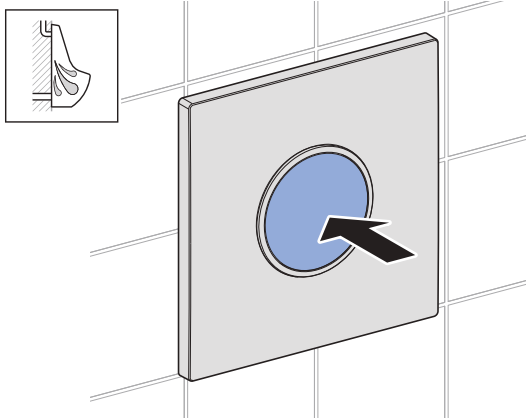


19



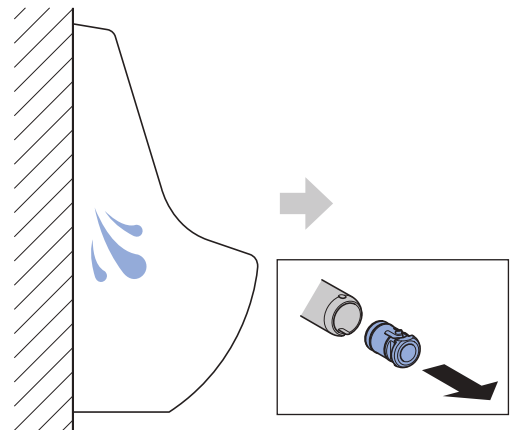
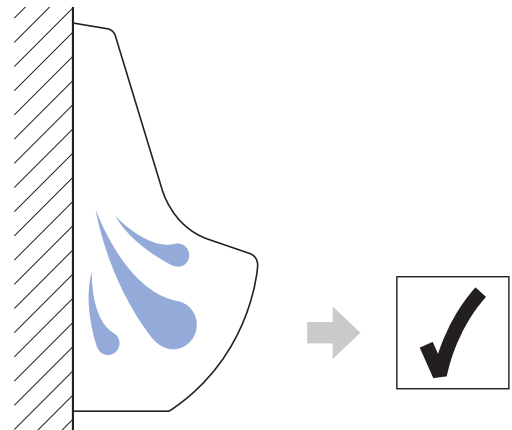
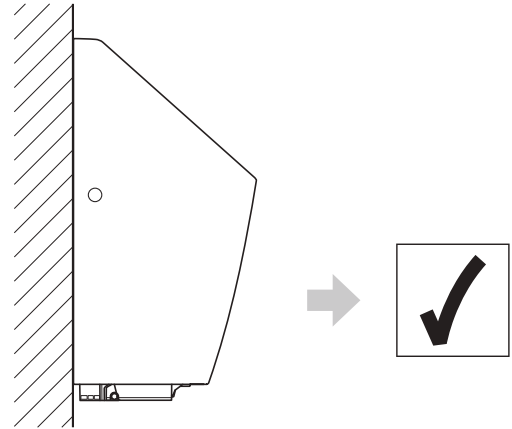


1



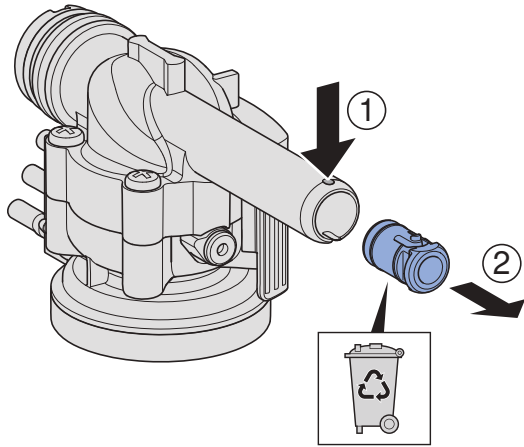
2

Geberit Preda, Selva, Tamina



→ **2**  12

2



Geberit International AG
Schachenstrasse 77, CH-8645 Jona
documentation@geberit.com
www.geberit.com

